



CASA W3 | W4 XS SMART

Installation, commissioning and maintenance instruction



Contents

Technical Guide

for design engineers, installation engineers and service personnel

The section 1 describes the **high lights of the unit**.

All information for **mechanical installation** is found from section 2.

Instructions for **basic commissioning** is found from section 3.

Units external connections to the systems or devices like Modbus, DI, DO, AI, etc. is found from section 4.

Units **functions description and usage** is found from section 5.

Units periodically **maintenance and service** is described in section 6.

If a **malfunction or alarm** occurs the instructions are found from section 7.

All **technical data** is found from section 8.

Important information	3		
1. General Description	4		
1.1 Enclosure	4		
1.2 Fans	4		
1.3 Demand ventilation control	5		
1.4 Filter	5		
1.5 Heat exchanger	5		
1.6 Temperature	5		
1.7 External connections	5		
1.8 Protective functions	5		
2. Installation.....	6		
2.1 Unboxing	6		
2.2 Lifting the ventilation unit	6		
2.3 Ventilation unit's installation site	6		
2.3.1 Wall mounting	6		
2.3.2 Ceiling mounting	7		
2.4 Condensate discharge	7		
2.5 Ducts	8		
2.5.1 Enabling kitchen bypass	8		
2.6 Electric and control cables	9		
2.7 Installation of the Smart control panel	9		
2.8 Smart automation packages	10		
2.9 Accessories	10		
3. Commissioning.....	12		
3.1 Air flows	12		
3.1.1 Setting the basic airflows	12		
3.1.2 Travelling	12		
3.1.3 Maximum automatic boost	12		
3.1.4 General notifications	12		
3.2 Cooker hood function	13		
4. Units external connections.....	14		
4.1 Modbus	14		
4.2 Switch inputs (DI)	15		
4.3 Voltage inputs (AI)	15		
4.4 Relay outputs	16		
4.5 Voltage outputs (AO)	16		
4.6 Smart Access	16		
5. Functions and use	18		
5.1 Functions	18		
5.1.1 Shortcuts	18		
5.1.2 Summer night cooling	18		
5.1.3 Cooker hood function	19		
5.1.4 Central vacuum function	19		
5.1.5 Fireplace function	19		
5.1.6 Automatic Home/Away/Boost function	19		
5.1.7 Automatic humidity control	20		
5.1.8 Automatic air quality control	20		
5.1.9 Weekly program	20		
5.2 Supply air temperature control	21		
5.2.1 Temperature control settings	21		
5.2.2 Temperature measurement	21		
5.2.3 External heating and cooling units	22		
5.3 Defrosting	22		
5.4 Restoring factory settings	22		
5.6 Changing settings password	22		
5.7 Use	22		
6. Service.....	23		
6.1 Service reminder	23		
6.2 Opening the ventilation unit	23		
6.3 Filters	23		
6.4 Heat exchanger	23		
6.5 Fans	23		
6.6 Other servicing	23		
6.7 Diagnostics	25		
7. Alarms and Troubleshooting.....	26		
7.1 Alarm indication, cooker hood	26		
7.2 Alarm indication, control panel	26		
7.3 Troubleshooting	26		
7.4 Alarm descriptions	27		
8. Technical data.....	28		
8.1 List of components	28		
8.2 Air flows (EN 13141-4)	29		
8.2.1 W3	29		
8.2.2 W4	29		
8.3 Connection outputs	30		
8.4 Acoustic data	30		
8.5 Electrical wiring diagram	30		
8.6 Control diagram and description of functions	31		
8.7 Measurements	32		
8.8 Ventilation unit codes	33		
8.9 Accessories for controlling	33		
Commissioning form.....	34		

NOTE! The manual's original language is English.



Important information

This document is intended for everyone involved in the installation work for or the use of a Swegon CASA ventilation unit. Read Instructions for Use before you use the ventilation unit. Save the Instructions for Use for future use. This document is available in our website.

This appliance can be used by children aged from 8 years and above and persons with reduced physical, sensory or mental capabilities or lack of experience and knowledge if they have been given supervision or instruction concerning use of the appliance in a safe way and understand the hazards involved. Children shall not play with the appliance. Cleaning and user maintenance shall not be made by children without supervision.

Installation and commissioning

Only qualified personnel should carry out installation, configuration and commissioning. Only a qualified electrician is allowed to make electrical installations in accordance with national regulations.

The national standards and regulations dealing with unit installation, configuration and commissioning must be followed.

Do not use the ventilation unit until all work that produces large quantities of dust or other impurities has been completed.

The duct connections of the ventilation unit must be covered by lids until it is mounted at its final location.

Make sure that the ventilation unit, filters and ducts are clean and that there are no loose objects in them before you commission the ventilation system.

Electrical work and connections

If you carry out voltage tests, measure the electrical insulation resistance at various points or perform other remedial measures that could damage sensitive electronic equipment, you must first isolate the ventilation unit from the electrical supply grid.

It is recommended that all Smart ventilation units should be equipped with a surge protection device and a residual current circuit breaker. Comply with local electrical safety regulations.

If the supply cord is damaged, it must be replaced by the manufacturer or its service agent or a similarly qualified person in order to avoid a hazard.

Drying laundry

A tumbler dryer of extract air type or a drying cabinet must not be connected to the system due to the high moisture content in the air it discharges.

Models with water-based air heater

When there is a water-based heater in the ventilation system the system should be equipped with damper in outdoor air duct so that the air heater cannot freeze during a power failure and unit freezing protection works correctly.

Separate extract air (bypass for cooker hood)

The separate extract air duct runs past the heat exchanger. The extract air from the kitchen should be conducted to the ventilation unit's extract air duct. Note that separate extract air flow affects the ventilation unit's annual efficiency.

Condensation

The surface temperature of the ventilation unit can drop down to low during periods of extremely low outdoor temperature and depending on the moisture content of the air surrounding the unit, moisture may condense on the surface. Condensation should be taken into account when choosing furnishings that are to be installed in the vicinity of the ventilation unit.

To open the ventilation unit for service

Always isolate the ventilation unit's power supply cable before you open the inspection door! Wait a few minutes before you open the inspection door so that the fans are stopped and electrical heaters are cooled.

There are no components inside the electrical box that can be serviced by the user. In case of malfunction, do not restart the ventilation unit before the cause of the fault is identified and fixed.

Filters

The ventilation unit must not be operated without filters! Use only original Swegon filters. Find the correct filter in the section "Technical data".

Warranty conditions

Warranty conditions are included in delivery of the unit as a separate document.

Declaration of conformity

Link to the declaration of conformity:



casahelp.fi

The document is valid for following ventilation units:

- Swegon CASA W3 XS Smart (C, SW ver. 3.3)
- Swegon CASA W4 XS Smart (C, SW ver. 3.3)
Check the SW version from the type plate inside the unit.

The delivery includes:

- Ventilation unit
- Anti-vibration mountings (2 pcs.)
- Instructions for Use (FI, SE, EN + NO, DE)
- Installation, commissioning and maintenance instructions (FI+SE)
- Warranty Conditions
- "Remember to change the filter" decal
- Product fiche

Standard connections:

- Power cord with earthed plug (2 m)
- Modular cable with RJ9 connector (1.5 m)
- Freely configurable I/O contacts for connection of accessories (2 pcs.)

Accessories:

- Modular cable, 20 m, adapter
- Smart control panel
- Wall mounting bracket
- Ceiling mounting frame
- Mounting frame with vapour barrier
- Water trap
- Condensate discharge hose
- SEC: IO extension cable with Modbus RTU
- SEM: IO extension module with relay and Modbus RTU (input and output connections)
- Waterborne air heater/air cooler for installation in ducts
- Electric air heater for installation in ducts
- Smart automation packages:
 - Auto Home/Away/Boost function + Auto humidity control (CO₂ + RH)
 - Auto Air Quality control + Auto humidity control (VOC + RH)
- Room temperature sensor
- Set for constant duct pressure
- Smart Access mobile user interface

1. General Description

The most important function of the ventilation system is to ensure clean and fresh indoor air and to remove moisture. The air in the home should be changed at a continuous and sufficient rate to ensure a pleasant indoor climate and avoid damage to building elements caused by dampness.

Swegon CASA W3 is designed for detached houses, multi-dwelling houses and holiday cottages less than 150 m² and W4 for less than 200 m² detached houses, multi-dwelling houses and holiday cottages. The ventilation unit can be used both for new construction and renovation projects.

- Air flow interval: **W3** 10 - 80 l/s | **W4** 10 - 97 l/s
- Heat exchanger temperature efficiency up to 82 % (EN 308)
- Very low structure
- Built-in humidity sensor as standard.
- Learning and demand defrosting
- Continuous control of the supply air temperature (Comfort)
- Energy-efficient and quiet EC fans
- CASA Smart control system
- The ventilation unit can be controlled from a control panel, from the cooker hood, via external switches, via Modbus or with Smart Access mobile user interface.
- Energy class A according to the Ecodesign directive

1.1 Enclosure

The ventilation unit conforms to enclosure class IP34 when the cover is closed.

1.2 Fans

The Swegon CASA ventilation units are equipped with energy efficient EC fans.

The fans can be controlled in four operating modes and steplessly with Smart functions:

- **Boost** = maximum commissioned air flow is used when the ventilation requirement increases, e.g. for cooking, showering or drying laundry.
- **Home** = normal air flow. In normal cases guarantees healthy indoor air quality.
- **Away** = low air flow. Reduces power consumption when no one is in the house.
- **Travelling** = very low air flow and lower supply air temperature. Used when house is empty long period. (Can only be selected from a Smart control panel.)

The unit's weekly timer can change operation modes and temperature setpoint at the preset times. It is always possible to override the weekly timer and change the operation mode from a control panel or a Smart cooker hood.

You can select an air flow boost time of 30, 60 or 120 minutes or continuous boost from a Smart control

panel. When the unit is controlled from a cooker hood, the fan's air flow boost time is 60 minutes.

1.3 Demand ventilation control

Ventilation can be controlled by demand with following Smart functions:

- **Stepless Home/Away/Boost Control** = ventilation level is controlled according to the CO₂ level.
- **Humidity Control** = ventilation is boosted steplessly according to the moisture load caused by people.
- **Air Quality Control** = ventilation is boosted steplessly according to VOC level.
- **Smart Balancing Functions** = supply and extract air flow balance is controlled to maintain room pressure level constant. i.e. cooker hood, fireplace or central vacuum cleaner functions.
- **Smart Cooling Boost** = ventilation is boosted according to cooling need.

1.4 Filter

The ventilation unit is equipped with supply air filter according to filter class ISO ePM1 50% (F7) and with extract air filter according to filter class ISO coarse (G3). The need of filter replacement is indicated on the control panel and on a CASA Smart cooker hood.

1.5 Heat exchanger

The ventilation unit is equipped with a **plate heat exchanger which is based on the counterflow technology**. The incoming and outgoing air flows in a counterflow plate heat exchanger use separate channels, and thanks to this the heat exchanger does not return any odours back into the room air. It also does not return moisture and is therefore very well suited to dwellings with high humidity (eg abundant sauna and laundry).

The heat exchanger operates with the best possible efficiency in all conditions. This is possible with the demand and learning defrosting technology, which steplessly controls the heaters. Intelligent defrosting never leads cold outdoor air past the heat exchanger, keeping the supply air temperature constantly at a comfortable level.

1.6 Temperature

The supply air temperature is regulated by changing the temperature efficiency, with an integrated air heater or with an air cooler, which is sold as an accessory.

In **Eco mode** the ventilation unit works with the best possible temperature efficiency. It must be noted here that the higher the extract air temperature, the greater the direct effect will be on the supply air temperature. The supply air temperature can be adjusted if necessary by warmer supply air.

In **Comfort mode** the supply air temperature is kept even with the help of partially passing heat recovery, i.e. by controlling the temperature efficiency. It must be noted here that the unit is not able to produce supply air that is cooler than the outdoor air.

The control mode for the supply air is selected from the temperature control settings. The default mode is Eco.

The temperature setpoint can be adjusted using the control panel, weekly program, operating mode selection or based on room temperature.

Automatic summer night cooling recognizes the need for cooling. The function lowers the supply air temperature setting and bypasses the heat exchanger for best cooling performance. The unit can't produce cooler supply air than the outside air.

The unit can be equipped with an optional cooling coil, which allows active cooling of the supply air.

1.7 External connections

Plug-in modules are available for external connections. Wide variety of IO functions are available.

The ventilation unit is equipped with In-built Modbus. Modbus cabling can be made easily with external module (SEM). Unit can be fully controlled via Modbus.

1.8 Protective functions

The heat exchanger freeze protection

The defrosting function guarantees continuous ventilation even during extreme conditions.

The fan overheating protection

The fan overheat protection stops the fan if the temperature rises too high and is reseted automatically. If protection stops the fans an alarm is generated.

Electric air heaters

The electric heater is equipped with automatic and manual overtemperature protection. Overheat cuts the heating circuit and generates an alarm.

Water-based air heaters

The ventilation unit with water-based air heater/cooler has a temperature sensor that protects the coil from freezing. Protection generates the alarm and starts freezing prevention. If freezing prevention is not enough the unit is stopped and demanded shut-off dampers are closed. Freezing prevention is reseted automatically.

Cold supply air

The ventilation unit has built-in condensation protection. If the supply air is too cold, the ventilation unit stops and an alarm is generated

High temperature

If supply air or units internal temperature is detected dangerously high the unit is stopped and an alarm is generated.

Temperature sensors

If a sensor fault is detected, the ventilation unit runs in restricted mode. The ventilation unit's returns to normal mode once the fault has been corrected.

2. Installation

2.1 Unboxing

The ventilation unit is delivered in a cardboard box. Remove the staples to open the box cover. The best way to take the unit out is by opening the vertical seam of the cardboard box and spreading it out from around the unit.

2.2 Lifting the ventilation unit

The ventilation unit is heavy and is not intended to be moved by hand. When installing the ventilation unit, it is lifted with a suitable lifting device that lifts evenly from the bottom of the unit.

2.3 Ventilation unit's installation site

The temperature in the space where the unit will be installed must be more than +10 °C. The ventilation unit can be installed in a machine room, laundry room, store room, etc.

Due to the risk of disruptive noise, the ventilation unit should not be installed on the wall towards the living room or bedroom.

Make sure it is easy to access the power and control cables as well as accessories.

The ventilation unit can be mounted either on the wall with a wall mounting bracket or on the ceiling with a ceiling mounting frame. The required mounting bracket is purchased separately as an accessory.

The unit should be installed on the wall and ceiling so that the ducts remain above the ceiling surface. The space between the unit and the wall/ceiling must be insulated to prevent the transmission of sound coming from the rear wall and top of the unit to the room. Particularly noteworthy; if the unit is not mounted on the ceiling, the sound from top of the unit and from the duct connections must be isolated from the room space.

Connect the extract air from a CASA cooker hood, if installed, via a duct to the extra duct connection spigot on the top side of the ventilation unit, which on delivery is plugged.

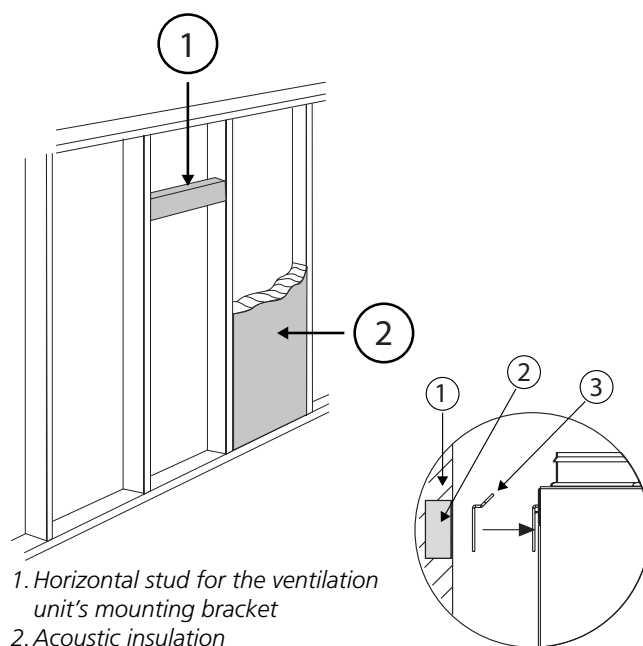
2.3.1 Wall mounting

If the wall is composed of vertical studs and wallboards, the wall must be reinforced with horizontal studs that will support the weight of the unit. Swegon also recommends that the wall be insulated with mineral wool or similar insulation for preventing sound from propagating to other rooms.

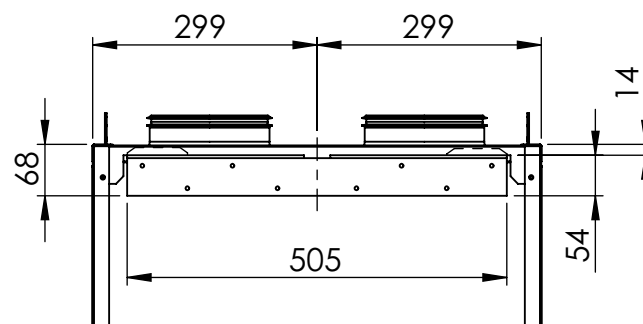
Screw the wall mounting bracket firmly in a horizontal position onto the wall where a wall stud will support the weight of the unit. Lift the ventilation unit onto the wall mounting bracket so that the ears on the bracket engage in the corresponding notches at the top on the backside of the unit.

The ventilation unit's door and heat exchanger can be removed to make it easier to lift the unit. See the "Service" section.

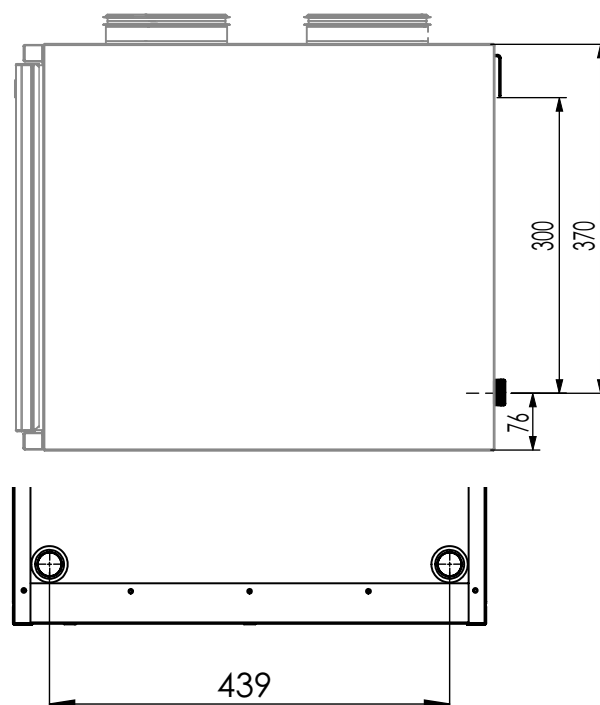
Set the final position of the ventilation unit with the help of the adjustable anti-vibration mountings so that the ventilation unit tilts slightly backward.



- 1. Insulated wall
- 2. Horizontal stud
- 3. Wall mounting bracket



Wall mounting bracket's dimensions



2.3.2 Ceiling mounting

The ventilation unit can be mounted on the ceiling with a ceiling mounting bracket which is available as an accessory.

Fasten the ceiling mounting frame in ceiling anchor sleeves with four M8 threaded rods. The length of rods must be adjusted so that they will be positioned max. 15 mm under the inner surface of the ceiling mounting bracket. Otherwise, the rods will hit the upper surface of the ventilation unit. Install at least three threaded rods in the corners of the ceiling mounting bracket. To avoid a possible collision with the ducts, one of the threaded rods can be located in the hole next to the corner.

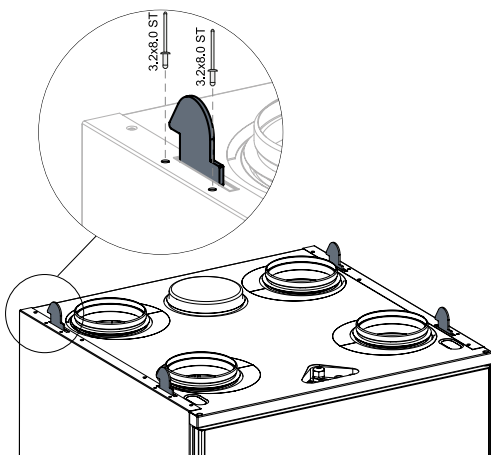
Screw in the M8 nuts onto the threaded rods to such a height that the ceiling mounting bracket will be horizontal when the top of the frame goes against the nuts. Fit the ceiling mounting bracket through the selected holes towards the nuts of the threaded rods and lock the frame into position with nuts from underneath. Adapt the installation height so that the locking pins in the mounting bracket's front section will stay sufficiently far below the ceiling.

Important

Improper tightening of the ceiling mounting bracket can cause the bracket to warp and the unit will not fit in it.

Run the mounting hooks through the assembly openings above the ventilation unit and secure them with tension rivets. Position the hooks so that the sharp point is facing the rear side of the ventilation unit.

The hooks must absolutely not be secured with rivets directly above the ventilation unit.

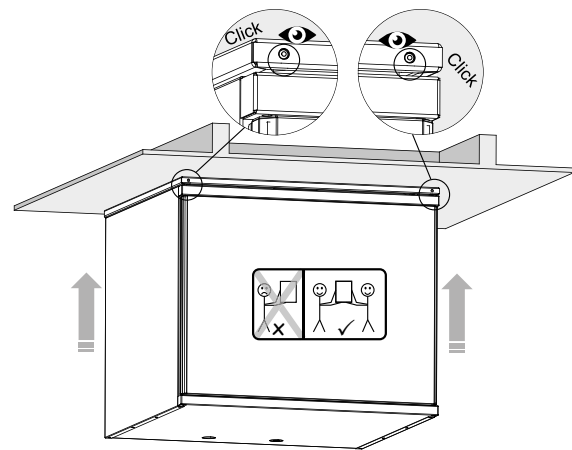


Run the power supply and control cables through the ceiling mounting bracket.

Screw the anti-vibration mountings in position on the lower edge of the rear wall of the ventilation unit before lifting the unit onto the bracket. The ventilation unit's door and heat exchanger can be removed to make it easier to lift the unit. See the "Service" section.

Lift the ventilation unit so that the hooks go through the fastening holes in the mounting bracket. The ventilation unit is locked in place when the locking pins are

touching the front plate of the mounting frame and can be seen from the openings on the front edge of the frame. (see picture)



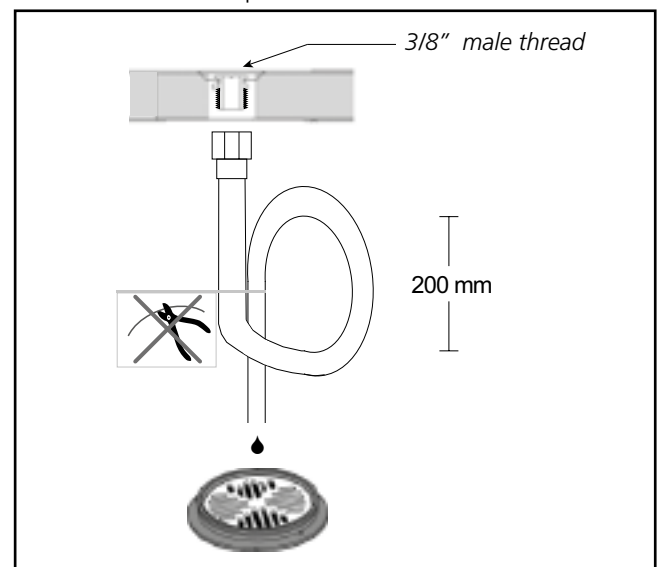
Finally adjust the position of the ventilation unit using the adjustable anti-vibration mountings, so that the unit tilts backward by a few degrees. Make sure that a hard twist is not subjected to the ceiling mounting bracket.

2.4 Condensate discharge

Connect the discharge hose to the ventilation unit's condensate discharge connection (3/8" male threads). The condensate is led off to a floor drain or the like using a hose or pipe with an inner diameter of at least 12 mm. The hose must not be led off directly to the drain. The tube must not have a second water trap or be run horizontally. The damming height of the water trap should be at least 100 mm.

Check that the condensate discharge outlet is not clogged and check its outflow by pouring water on the bottom of the ventilation unit. The condensate discharge connection is located on the rear of the unit under the heat exchanger.

A hose to lead off the condensate is available as an accessory (CDH3). The hose has a ready-made loop that serves as a water trap.

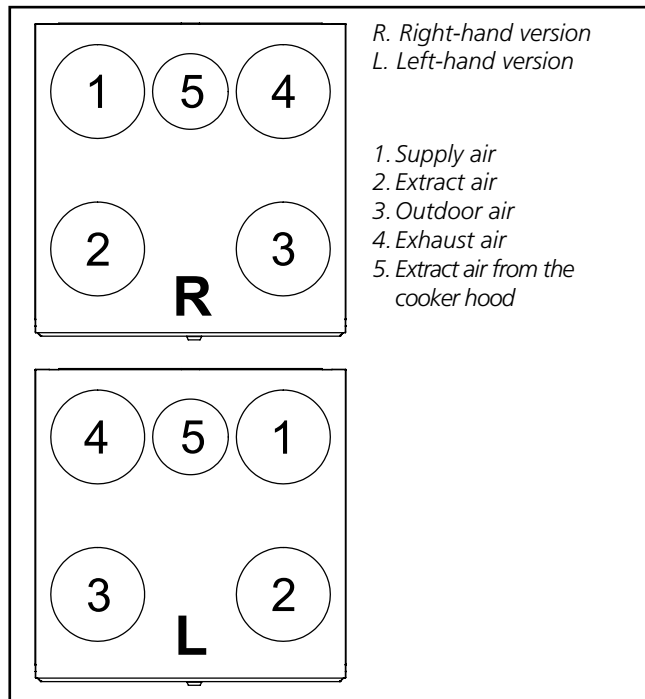


The metal water trap (UVLL) is available as an accessory.

2.5 Ducts

! **Important** !

Check whether the ventilation unit is a left or right-hand version, to be sure to connect the ventilation ducts to the correct duct connections.



Install the ducts according to the ventilation drawings. Do not mount ducts directly against structural elements to avoid the propagation of sound.

Insulate the ventilation ducts to prevent leakage of heat, cold and sound, as well as water condensing. Fire insulate the ducts according to national regulations. **Pay particular attention to insulate cold ducts without gaps in the insulation, so that moisture cannot condense.**

The thickness of the insulation must be sufficient for the insulation material, for the climate area and according to local regulations. Most manufacturers of insulation material offer calculation programs for the calculation of correct and sufficient insulation.

Supply air duct should be fitted with acoustic insulation along the stretch between the unit duct outlet and the sound attenuator, so that fan sound will not be propagated out into the room.

Generally, ventilation ducts should be insulated as follows:

- Insulate the outdoor ducts that pass through warm spaces.
- Exhaust air ducts should always be insulated in accordance with national regulations.
- Insulate supply air ducts in cold spaces.
- Insulate extract air ducts in cold spaces.
- If the air inside the duct is colder than in the surroundings; the insulation should be protected by a vapour barrier.

It is important to ensure the tightness of the vapour barrier at the penetration collars. We recommend the use of a mounting frame with vapour barrier designed for the ventilation unit (accessory, W3:PW080YP / W4:PW100YP) for sealing the vapour barrier.

2.5.1 Enabling kitchen bypass

The ventilation unit has extra duct connection for extract air from the cooker hood. The extract air from the cooker hood flows directly out through the unit's extract air fan and does not pass the heat exchanger. For this reason, the kitchen's general ventilation must not take place via the cooker hood. On delivery, the duct outlet that bypass the heat exchanger are fitted with cover.

The duct between the cooker hood and the unit must be installed in such a way that it's possible to clean it from outside of the unit.

! **Important** !

The kitchen bypass is intended for use when the air flows from the cooker hood/ kitchen are boosted. The kitchen's general ventilation must take place via the extract air duct. If the general ventilation takes place continuously via the cooker hood, the supply air and extract air flows through the heat exchanger will be out of balance, and this will lower the efficiency and impair the ventilation unit's anti-freeze protection functions during the winter.

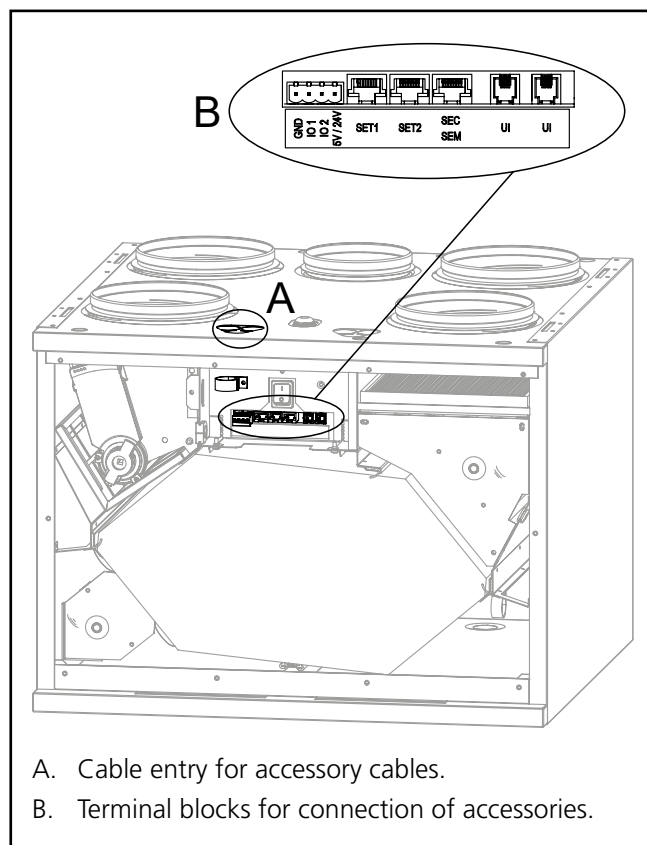
2.6 Electric and control cables

The ventilation unit has a power cable with earthed plug. The plug serves as the ventilation unit's main switch and should be connected to an easily accessible wall socket.

There is a modular cable on top of the ventilation unit to control the unit. The maximum length of the modular cable is 40 meters. If you route the modular cable within a building element, the cable must be routed in a Ø 20 mm conduit, bearing in mind any subsequent cable replacement.

Ensure during the installation of the ventilation unit that it is easy to access the cable connectors, among others, for servicing and setting up.

Accessories are either connected to the ventilation unit's four-way connector (2 extra functions) or the external connection modules (3 extra functions). The cables are routed through the cable entries that are on top of the ventilation unit. The connection of accessories is described in the section "Units external connections". Connection cables for connection modules and accessories are not included in the supply.



⚠

Important

⚠

Only a qualified electrician may carry out electrical installations, according to national regulations.

2.7 Installation of the Smart control panel

A maximum of two Smart control panels can be connected to the ventilation unit. These should be configured with different ID numbers (*Settings/Display/Display ID*). A Smart control panel can be mounted up to 40 meters from the unit (using 2 x 20 meter long modular cables).

The front panel on the Smart control panel is released using a screwdriver to push the retaining clips through the holes on either side.



If several control panels are connected in chain, the middle panel's bus termination is moved to the "Open" position. The jumpers do not need to be adjusted if only one control panel is used.



Bus termination: Terminated



Bus termination: Open

The modular cable can be connected to any outlet socket on the panel.



Finally, refit the front panel.

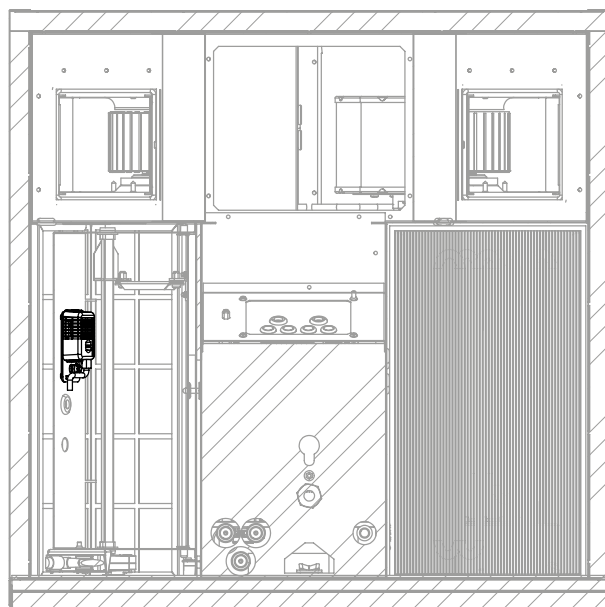
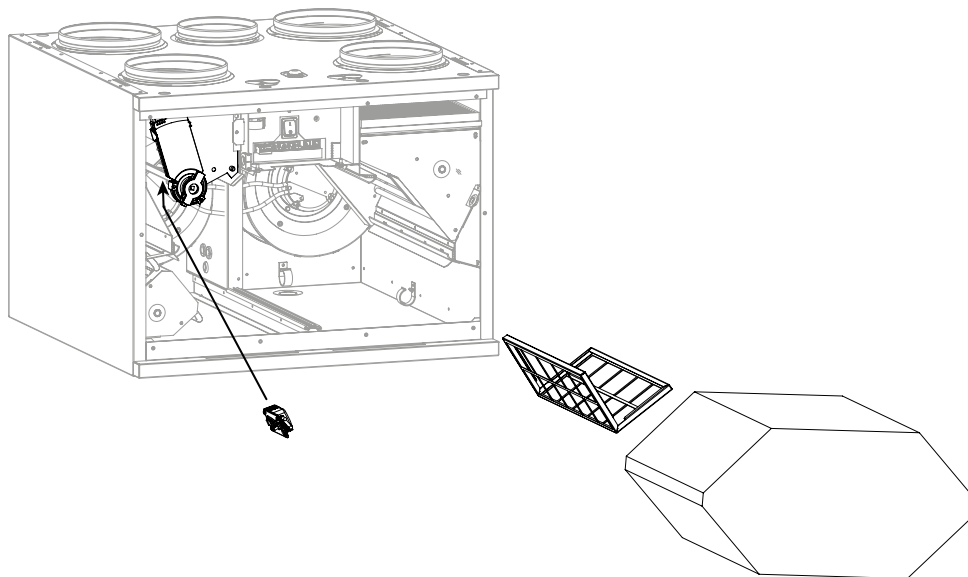
2.8 Smart automation packages

- Auto humidity control (SRH)
- Auto Home/Away/Boost function + Auto humidity control (SRHCO2)
- Auto Air Quality control + Auto humidity control (SRHVOC).

The ventilation unit has a connection cable for the sensor package. The sensor package is secured with a clip on the bottom of the case. The installation position for the Sensor package is located behind the summer bypass damper in the extract air chamber.

The position of the sensor package in the ventilation unit is shown in the image below. The extract air filter and the heat exchanger must be dismantled from the ventilation unit, and the summer bypass damper must be set to the "winter" position, while the installation is performed.

All sensor combinations are encapsulated in the same way. If there is a sensor package version installed in the ventilation unit, you can replace it with an optional sensor package. See the section *Functions and use* for information about the automatic functions.



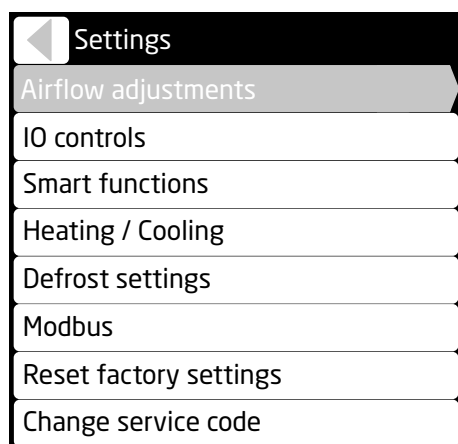
2.9 Accessories

Installation instructions for accessories are included in the delivery of the each product.

3. Basic commissioning

Before commissioning, all tasks in Installation section must be completed. Before the ventilation system can be taken in use, the basic supply and extract air flows must be adjusted. If cooker hood is used, the cooker hood function boost air flow and balancing should be adjusted. If the automatic Home/Away/Boost Smart function is used it must be commissioned, see section 4.

Commissioning is made from the password-protected "Settings" menu on a Smart control panel. To open the menu, enter code 1234. (The code can be changed).



3.1 Air flows

Particular airflows should be found from house ventilation plan. The units air flow curves are found in the section "Technical data". A qualified person should adjust the ventilation air flows with the help of measurement equipment so that they correspond with the ventilation plan.

Air flows for all basic operating modes must be set so that the ventilation unit works correctly! Enter the settings in the commissioning report.

Before you start to adjust the air flows, ensure that the filters are clean and that there are no foreign objects or debris inside the ventilation unit.

3.1.1 Setting the basic air flows

Choose commissioning mode. The ventilation unit's fans run at the selected speed and functions, such as anti-freeze protection and heat exchanger by-pass, are disabled.

Airflow adjustments	
Commissioning mode	<input checked="" type="checkbox"/>
Control type	Fan control
Home (supply)	48%
Home (extract)	50%
Away (supply)	35%
Away (extract)	38%
Boost (supply)	90%
Boost (extract)	92%
Travelling (supply)	35%
Max Smart boost (supply)	82%

NOTE! Depending on the state of the ventilation unit, it may take some time for the commissioning mode to be activated. A message will appear on the screen.

Adjust the fan control (%) for the operating modes **Home**, **Away** and **Boost** so that the planned air flow rates are reached.

3.1.2 Travelling

Travelling mode reduces ventilation unit's power consumption. Travelling mode can be used when the home is empty for long periods.

Adjust the supply fan control (%) for the Travelling mode. The extract air flow is defined automatically based on the basic air flows.

3.1.3 Maximum automatic boost

Automatic boost level can be limited if it's disturbing.

Adjust the supply fan control (%) for the max Smart boost. The extract air flow is defined automatically based on the basic air flows.

3.1.4 General notifications

In new homes, there is still construction moisture and the higher ventilation level is needed to remove the moisture.

If there is a sauna, pool or other moisture producer in the home, It is recommended to boost ventilation on demand. This can be managed with Smart humidity control or active use the ventilation unit's boost mode.

⚠
Important
⚠

The system should be commissioned by a qualified person. The air flows must not be changed by the user, because it could disrupt the ventilation system operation.

Air flows must be adjusted according to the local regulations.

Never adjust the air flows under the units specified minimum.

3.2 Cooker hood function

The cooker hood function balances the air flows when the cooker hood is used. This will help to prevent house negative pressure and improves fume extraction capability. The ventilation boost level during the function can be defined. The function starts automatically when the damper in a Swegon CASA cooker hood is opened or when a cooker hood defined IO is active.

The function and the air flows can be commissioned from the menu *Settings/(1234)/Smart functions/Cooker hood boost*.

Cooker hood function	
Home state Compensation	10%
Boost state Compensation	0%
Hood boost	30%
Roof fan	<input type="checkbox"/>
In use	<input checked="" type="checkbox"/>
Commissioning mode	<input type="checkbox"/>

Choose commissioning mode. The ventilation unit's fans run at the selected speed and functions, such as anti-freeze protection and heat exchanger by-pass, are disabled.

Open the cooker hood damper.

Define the cooker hood air flows in order to adjust function values.

Home state Compensation. Adjust the Home mode compensation value so that the supply and extract + cooker hood air flows are in balance. Compensation increases supply air flow. (If roof fan compensation is selected, the extract air flow is first reduced).

Boost state Compensation. Fine tune Boost mode compensation value if necessary.

Hood boost adjusts the ventilation level during the function, for example, to achieve sufficient discharge velocity or odour extraction.

Choose **Roof fan** when using a cooker hood which is connected to the roof fan. Compensation is achieved by slowing the extract air fan.

4. Units external connections

This section contains information to connect ventilation unit to external devices or system. The unit has in build Modbus RTU interface to complete control. The units operating modes and functions can be controlled with switch inputs (DI) or with voltage (0...10 V). The unit state can be monitored from relay outputs or voltage output (0...10 V).

4.1 Modbus

Unit has in build Modbus RTU interface (slave) and it's available in a SEC* or SEM* module. SEC IO-extension cable Modbus interface is designed for single point connection. SEM IO-extension module Modbus interface is designed for easy connection to large network with in and out connectors for A, B and for two shield or ground connectors.

Installation

Install Modbus network cabling as described in external connections diagram.

NOTE! Install bus termination to chains last unit (in SEM use bus terminated jumper, JP1).

NOTE! Shielded cable must be grounded only from one point (master). SEM has two internally connected connectors for shield/ground chaining.

Settings

Modbus settings can be changed in *Settings/(1234)/Modbus* menu.

◀ Modbus	
Address	1
Baud	38 400
Data bits	8
Stop bits	1
Parity	None
Smart Access	<input type="checkbox"/>

If Smart Access is connected to the SEC/SEM module select Smart Access for correct settings. Normally Smart Access cable should be connected inside electrical box.

Register access

Modbus registers defined in registers list are direct accessible without password. All defined registers are PLC addresses (base 1). Most commonly used registers are listed below.

Holding control registers		
4x5001	Operating mode	0 = Stop 1 = Away 2 = Home 3 = Boost 4 = Travelling
4x5018	Emergency stop	0 = Disabled 1 = Active 2 = Over pressurising
4x5101	Temperature setpoint	°C
4x5406	Reset all alarms	1 = Reset

Input registers		
3x6201	Fresh air temperature	0,1 °C
3x6203	Supply air temperature	0,1 °C
3x6204	Extract air temperature	0,1 °C
3x6213	CO2	PPM
3x6214	RH	%
3x6217	VOC	PPM eqv.
3x6205	Supply fan RPM	1/s
3x6206	Extract fan RPM	1/s
3x6301	Unit state	0 = Ext. stop 1 = User stop 2 = Start 3 = Normal 4 = Commissioning
3x6302	Operating mode	0 = Stop 1 = Away 2 = Home 3 = Boost 4 = Travelling
3x6136	Combined alarm	See full list
3x6137	Combined info	See full list

Full register list:
www.swegon.com 

*) Accessory

4.2 Switch inputs (DI)

Unit operating modes and functions can be controlled with switch (digital) inputs. All inputs are configurable to any operation, and input polarity (NC/NO) can be selected. The unit has two inputs (IO1 and IO2). SEC/SEM* modules has three inputs more (IO3, IO4 and IO5).

Installation

Install switch devices to selected inputs (IO1-IO5) and ground.

Settings

IO settings can be changed in *Settings/(1234)/IO controls* menu. Configure input type to *switch input*. Select active state according to application. Closed selection will active function when input is connected to ground (NO).

Operations

Select required switch function:

1. **Emergency stop**
Emergency stop when input active.
2. **Stop**
Unit stopped when input active.
3. **Fireplace**
Fireplace function activated by input pulse, function time defined in Smart settings.
4. **Hood**
Cooker hood function active when input active.
5. **Central vacuum (CVC)**
Central vacuum cleaner function active when input active.
6. **Boost force**
Boost mode active when input active, overrides Away mode.
7. **Away**
Away mode active when input active.
8. **Boost**
Boost mode active when input active.
9. **Modbus (not priority)**
Input status can be read from Modbus.
10. **Relay control (not priority)**
Input status can control relay output.
11. **Emergency stop resettable**
Emergency stop activation. Emergency stop is reset from user panel.
12. **External alarm.**
Alarm indication for external devices.

4.3 Voltage inputs (AI)

Unit operating modes can be controlled with analog voltage (0...10V) and different sensors can be connected to voltage inputs. The unit has two inputs (IO1 and IO2). SEC/SEM* modules has three inputs more (IO3, IO4 and IO5).

Installation

Install control or sensor cable to selected inputs (IO1-IO5) and ground.

Settings

IO settings can be changed in *Settings/(1234)/IO controls* menu. Configure input type to *voltage input*.

Operations

Select required analog input function:

1. **Operating mode**
Operating mode control 0...10 VDC (+/- 0.5 V)
0 V = Control disabled
1 V = Travelling
2 V = Away
5 V = Home
8 V = Boost
10 V = Stopped
2. **Operating mode, stepless**
Operating mode control 0...10 VDC (+/- 0.5 V)
0 V = Control disabled
1 V = Travelling
2 V = Away
Stepless control between Away and Home
5 V = Home
Stepless control between Home and Boost
8 V = Boost
10 V = Stopped
3. **Modbus AI**
Analog voltage can be read from Modbus.
4. **PA supply air****
5. **PA extract air****
6. **I/s (supply air)****
7. **I/s (extract air)****
8. **RH AI****
9. **CO₂ AI****
10. **VOC AI****

*) Accessory

***) Instructions are supplied with accessory

4.4 Relay outputs

External devices or systems can be controlled with relay control outputs (+ 24 VDC). The units two inputs (IO1 and IO2) can control external relays. SEM* module has one inbuilt relay (IO3) and two outputs for external relays (IO4 and IO5). IO5 is grounding digital output for direct connection to automation system.

Installation

Install external relay or system according to drawings.

NOTE! The control card can be damaged if you short-circuit the IO connection selected by the relay output.

Settings

Relay settings can be changed in *Settings/(1234)/IO controls* menu. Configure input type to *relay output*. Select active state according to application. *Closed* selection will close/activate the relay output when function is active (NO).

Operations

Select required relay function:

1. **Damper**
Output is active when unit is running.
2. **Away**
Output is active when unit is in Away mode.
3. **Boost**
Output is active when unit is in Boost mode.
4. **Modbus**
Output is controlled with Modbus.
5. **DI control**
Output is controlled with digital input. Switch input must be defined as relay control. Relay output minimum and/or maximum active time can be defined from IO controls menu.
6. **Manual on**
Output is always on.
7. **Travelling**
Output is active when unit is in Travelling mode.
8. **Service.**
Output is active when service reminder is active.
9. **Critical alarm**
Output is active when critical alarm is active. Unit is operating in restricted mode.
10. **Alarm**
Output is active when any alarm is active.

4.5 Voltage outputs (AO)

External devices or systems can be controlled with analog output (0...10 V). SEM/SEC* module has one analog output (AO4).

Installation

Install device or control cable to AO4 and ground.

Settings

IO settings can be changed in *Settings/(1234)/IO controls/AO4* menu.

Operations

Select required output function:

1. **Operating mode**
Operating mode output 0...10 VDC
 - 0 V = NA
 - 1 V = Travelling
 - 2 V = Away
 - 5 V = Home
 - 8 V = Boost
 - 10 V = Stopped
2. **Operating mode, stepless**
Operating mode output 0...10 VDC
 - 0 V = Control disabled
 - 1 V = Travelling
 - 2 V = Away
 - Stepless output between Away and Home*
 - 5 V = Home
 - Stepless output between Home and Boost*
 - 8 V = Boost
 - 10 V = Stopped
3. **Temperature setpoint**
Temperature setpoint (10-30 °C) corresponds to 0...10 V.
4. **Modbus**
Output is controlled with Modbus.

4.6 Smart Access

Unit can be controlled, monitored and commissioned with web service Smart Access*. Smart Access allows automatic alarm and service notifications through email. Smart Access provides unit specified links to spare parts and filter web shop and to Casahelp.

Installation

Install Smart Access device cable to unit internal connector or connect cable to SEC/SEM (Modbus and IO4). Connect Smart Access to public internet with ethernet cable (ETH connector).

Settings

If Smart Access is connected to internal connector no settings are required.

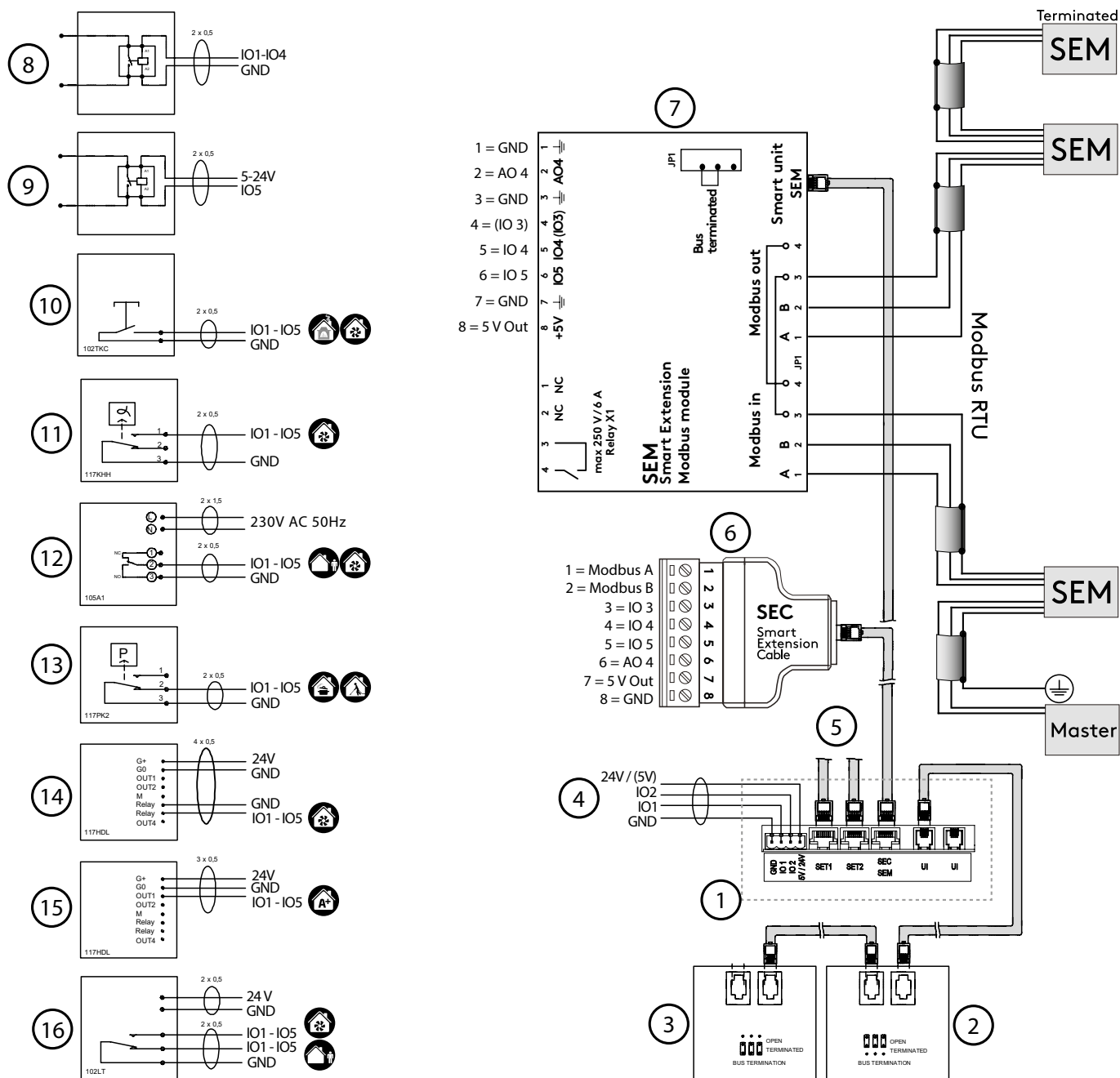
If Smart Access is connected to SEC/SEM module select Smart Access enabled in *Settings/(1234)/Modbus* menu.

Operations

Read the QR code from Smart Access device with smart device and follow the instructions.

*) Accessory

External connections diagram



1. Ventilation units external connections

2. Swegon CASA Smart control panel (UP1)
3. Swegon CASA Smart control panel (UP2)
4. Connection points on the ventilation unit: IO1, IO2, 24 V / (5 V), selection from circuit board
5. SET-module, Smart Extension Temperature module, connection card for external duct equipment
6. SEC Smart Extension Cable, IO-extension cable with Modbus RTU (single point connector)
7. SEM Smart Extension Modbus module, IO-extension module with relay and Modbus RTU (in and out connectors)
8. External relay control, alarm signal, duct damper, status signal, Modbus
9. External relay control (earthed output), alarm signal, duct damper, status signal, Modbus
10. Fireplace/boost switch, for control of the fireplace function or boosting
11. Humidity sensor, for control of boosting
12. Timer, for control of the Away/Boost mode
13. Pressure switch, for control of the cooker hood/central vacuum cleaner function.
14. CO₂ sensor with relay, for activate the boost mode
15. CO₂ sensor, for control of Automatic Home/Away/Boost system
16. Presence sensor

5. Functions and use

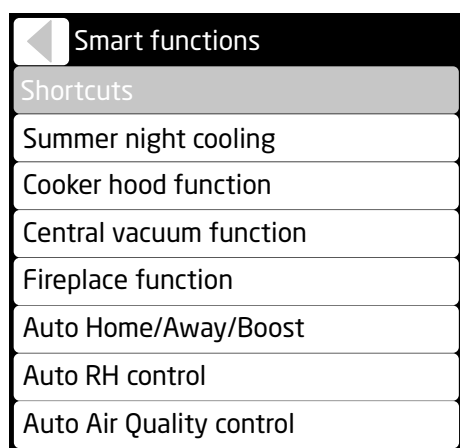
This section contains functions detailed description, advanced settings and use. The advanced settings for the functions can only be accessed from Smart settings with password (1234 / changeable). The normal user settings can be limited.

In the User manual the functions are only covered from the user point of view. User settings are accessed from the Smart shortcut menu.

5.1 Functions

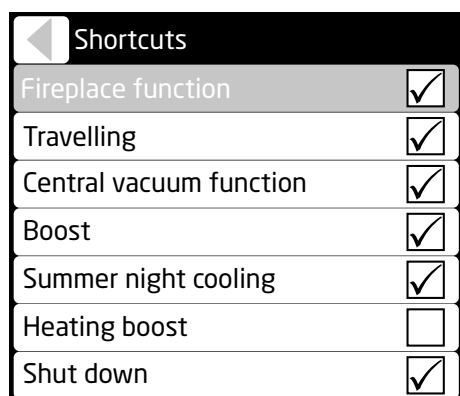
The Smart functions can be activated from the control panel shortcuts, Modbus or via external inputs. Some of the functions are so-called background functions which work by demand. Advanced settings can be accessed from the "Settings/(1234)/Smart functions" menu.

Note, some settings may not be visible depending units configuration.



5.1.1 Shortcuts

From the "Shortcuts" menu you can set which functions are to be visible to the user. Boost selection effects to Auto RH control, Auto air quality, Auto Home/Away/ Boost functions which are available.



5.1.2 Summer night cooling

Automatic Summer night cooling detects cooling need and decreases the supply air temperature, if possible, and boosts the ventilation. Temperature control is applied with heat exchanger efficiency control and with external cooling battery (accessory). Summer night cooling is most efficient when the outdoor air temperature is relatively low.

Summer night cooling	
Level	User
Fresh air limit	5°C
Fresh air start limit	14°C
Room temperature start limit	Off
Supply air limit	14°C
Boost	User
Boost limit (room)	23°C
Full boost limit (room)	26°C
Use in away mode	<input type="checkbox"/>
Hood boost	<input type="checkbox"/>

In the shortcut menu only preset level and Boost are selectable. To define advanced function settings select "User".

Summer night cooling level

Summer night cooling level is defined by cooling need detection limits and by lowering supply air temperature setpoint. With preset values the user can select cooling level: *off*, *low*, *normal*, *high* or *full*. *Fresh air limit* determines at which outdoor air temperature the function is allowed.

By default the cooling need is defined by outside temperature calculations and room temperature changes. If advanced settings (*User*) is selected the *fresh air start limit* can be changed which effects to the cooling detection limits.

If "*Room air temperature limit*" is selected, the cooling need is based on fixed *room temperature start limit*.

The supply air temperature setpoint is defined with *supply air limit* during function. If the limit is changed, the risk of condensation on the pipes must take into consideration.

Summer night cooling stepless boost

Summer night cooling effect is enhanced with boosting the ventilation if supply air temperature is relatively low. With preset values the user can select boosting level: *off*, *low*, *normal*, *high* or *full*.

If advanced settings (*User*) is selected the boost level can be defined with room temperature *boost limit* and *full boost limit*.

Select *Use in Away mode* to allow boost in Away mode.

Select *Hood boost* to open the damper on CASA Smart cooker hood when summer night cooling is active.

5.1.3 Cooker hood function

The cooker hood function balances the air flows when the cooker hood is used. This will help to prevent house negative pressure and improves fume extraction capability. The ventilation boost level during the function can be defined. The function starts automatically when the damper in a Swegon CASA cooker hood is opened or when a cooker hood defined IO is active.

The balancing is applied with increasing the supply air flow. If cooker hood is connected to separate extract duct and roof fan is selected the balancing is first decreasing the extract air flow and increasing the supply air flow if needed.

Commissioning and settings for the cooker hood function is described in Basic commissioning section.

5.1.4 Central vacuum function

The central vacuum function balances the air flows when the a central vacuum cleaner is used. This will help to prevent house negative pressure and improves the cleaning result. The function can be started by external switch connected to input configured as the CVC. The function will then be activated automatically when the central vacuum is on.

The function can also be started from a Smart control panel, the function runs until the set time has elapsed (*Run time*).

The function's settings can be adjusted from the *Settings/(1234)/Smart Functions/Central vacuum function* menu.

Central vacuum function	
Run time	30 min
Compensation	20%

The function's balancing level can be adjusted with the *Compensation* setting (max 50 %). The balancing is applied with first decreasing the extract air flow and increasing the supply air flow if needed.

5.1.5 Fireplace function

The fireplace function helps lighting the fire and ensures that no excess under pressure is generated. The function can be started from *Smart shortcuts* menu or by external switch connected to input configured as the fireplace function (IO-control).

Problems caused by too little draught in a fireplace usually occur in the autumn, when the temperature difference between the indoor and outdoor air is slight and the chimney is cold. The Fireplace function attempts to help the situation by giving a temporary positive pressure in the home when the fireplace is lighted.

After the lighting phase the function prevents the excess under pressure formation. The function *Run time* can be changed from the settings (max. 60 min). The function can be stopped from the control panel.

The function's settings can be adjusted from the *Settings/Smart Functions/Fireplace function* menu.

Fireplace function	
Run time	15 min
Speed difference	15 %

The function's maximum level can be adjusted with the *Speed difference* setting (max 25 %). The function is applied by demand with first decreasing the extract air flow and increasing the supply air flow if needed.

If problems occur with the chimney draught when lighting the fire, the percentage value can be increased slightly from the default value.

Use of the fireplace function repeatedly in extreme cold can cause forming of ice in the ventilation unit.

5.1.6 Automatic Home/Away/Boost function

The function is available only on models equipped with a CO₂ sensor. The function controls the ventilation steplessly between away and boost levels by demand. When the unit is controlled to away mode temperature setpoint can be decreased to save even more energy.

The function should always be adjusted to ensure optimal performance.

The function can be activated and adjusted from the *Settings/(1234)/Smart Functions/Home/Away/Automatic Boost* menu or from *Smart shortcuts* menu.

Auto Home/Away/Boost	
In use	<input checked="" type="checkbox"/>
A+ now	750 ppm
Home limit	700 ppm
Away limit	500 ppm

The function is adjusted by defining the CO₂ limits for Home and Away. When measured CO₂ value is between these values the air flow is controlled accordingly between Away and Home. If CO₂ value is above *Home limit* the air flow is boosted lineary and if CO₂ value is below *Away limit* the Away mode is activated.

A suitable *Home limit* value can be defined by reading the measured CO₂ level (*A+ now*) from the menu when a planned number of people are in the house. Similarly the *Away limit* value can be defined by reading the measured CO₂ level (*A+ now*) from the menu when a house is empty and the CO₂ level is settled.

The ventilation can be raised when people are at home by decreasing the *Home limit*. The away mode can be activated earlier by increasing the *Away limit*.

NOTE! The function is only visible if the CO₂ sensor has been detected.

NOTE! Measured CO₂ value depends on the ventilation system but the function is calibrated with the limits.

5.1.7 Automatic humidity control

The function is available only on models equipped with a humidity sensor. The function boosts the ventilation steplessly by demand. For example if humidity in the house rises due to showering.

If the humidity level (RH) remains above 60 % for a long period, we recommend that the ventilation is boosted and the humidity source is investigated.

The function can be activated and level selected from the *Settings/(1234)/Smart Functions/Auto RH control* menu or from *Smart shortcuts* menu.

Auto RH control	
Level	User
Boost limit	5 % + RH
Full boost limit	30 % + RH
Boost delay	0 min
Boost during delay	5 %

The user can select preset boost levels in the shortcut menu (*off, low, normal, high or full*). The preset levels define *Boost limit* and *Full boost limit*. To define these limits manually select "User" level.

The ventilation is boosted steplessly when the humidity has risen from average *Boost limit* defined amount. The maximum ventilation boost is reached when the humidity has risen the *Full boost limit* defined amount from the average.

The boost can be increased by decreasing the *Full boost limit*.

The boost start can be delayed with *Boost delay*. (The delay is started when humidity is stabilized after shower or sauna.) Fixed *boost level during the delay* can be defined.

NOTE! The function is only visible if the sensor has been detected. The function is enabled automatically when the sensor is detected.

NOTE! Humidity is measured from extract air and it represents average of the whole house.

5.1.8 Automatic air quality control

The function is available only on models equipped with VOC sensor. The function boosts the ventilation steplessly according to air quality level.

The function can be activated and level selected from the *Settings/(1234)/Smart Functions/Auto Air Quality control* menu or from *Smart shortcuts* menu.

Auto Air Quality control	
Level	User
AQ now	750 ppm
Boost limit	800 ppm
Full boost limit	1500 ppm

The user can select preset boost levels in the shortcut menu (*off, low, normal, high or full*). The preset levels define *Boost limit* and *Full boost limit*. To define these limits manually select "User" level.

The ventilation is boosted steplessly when the VOC has risen over *Boost limit*. The maximum ventilation boost is reached when the VOC has risen to the *Full boost limit*. Appropriate values can be established based on the *AQ now* value shown in the menu.

The boost can be increased by decreasing the *Full boost limit*.

NOTE! The function is only visible if the sensor has been detected.

NOTE! VOC measurement reacts on air quality changes and absolute value can vary highly but by selecting suitable boost level the function works effectively.

5.1.9 Weekly program

The ventilation unit's functions can be controlled with a maximum of four different weekly programs.

Operating mode and temperature for each program can be selected. Time limits and weekdays for the programs can be selected.

Smart boost can be disabled for a desired time, e.g. during the night by selecting Silent mode.

Weekly programs can be enabled and settings can be made from *Main menu/Weekly programs* menu.

NOTE! Program 1 has highest priority and program 4 lowest. Highest priority overrides other active programs.

Program 1	
State	Away
Temperature	17°C
Start time	07:00
Stop time	16:00
Monday	<input checked="" type="checkbox"/>
Tuesday	<input checked="" type="checkbox"/>
Wednesday	<input checked="" type="checkbox"/>
Thursday	<input checked="" type="checkbox"/>
Friday	<input checked="" type="checkbox"/>
Saturday	<input type="checkbox"/>
Sunday	<input type="checkbox"/>

5.2 Supply air temperature control

The supply air temperature is regulated by changing the temperature efficiency, with an integrated air heater or with an air cooler, which is sold as an accessory.

In **Eco mode** the ventilation unit works with the best possible temperature efficiency. It must be noted here that the higher the extract air temperature, the greater the direct effect will be on the supply air temperature. The supply air temperature can be adjusted if necessary by warmer supply air.

In **Comfort mode** the supply air temperature is kept even with the help of partially passing heat recovery, i.e. by controlling the temperature efficiency. It must be noted here that the unit is not able to produce supply air that is cooler than the outdoor air.

The control mode for the supply air is selected from the temperature control settings. The default mode is Eco.

The temperature setpoint can be adjusted using the control panel, weekly program, operating mode selection or based on room temperature.

Automatic summer night cooling recognizes the need for cooling. The function lowers the supply air temperature setting and bypasses the heat exchanger for best cooling performance. The unit can't produce cooler supply air than the outside air.

The unit can be equipped with an optional cooling coil, which allows active cooling of the supply air.

5.2.1 Temperature control settings

The user can change the temperature setting from the main menu. The preset value of the temperature setting refers to the supply air temperature that the unit attempts to reach. If room temperature regulation is selected, the setting value determines the setpoint value for the room temperature.

Supply temperature control settings can be accessed from the *Settings/(1234)/Heating / Cooling/Supply temperature control* menu.

Control method	
Control method	Supply air
Setpoint	17°C
Setpoint (away)	17°C
Setpoint (travelling)	16°C
Control mode	ECO

If control method *Supply air* is selected the base setpoint and lowered setpoints for Away and Travelling modes can be set. The heat exchanger *Control mode* can be selected.

Control method	
Control method	Room air
Supply control min value	17°C
Supply controller max value	17°C
Cooling min setpoint	14°C
Cooling max setpoint	25°C
Setpoint	21°C
Setpoint (away)	21°C
Setpoint (travelling)	20°C
Control mode	ECO

If control method *Room air* is selected min and max values for heating and cooling (if external cooling device* is installed) periods can be set. The room temperature control method aims to control room temperature by controlling supply air temperature between min and max values.

The Room temperature setpoint and lowered setpoints for Away and Travelling modes can be set. The heat exchanger *Control mode* can be selected.

NOTE! The Automatic summer night cooling can lower supply air temperature setpoint.

5.2.2 Temperature measurement

The supply and room temperature measurements can be fine tuned from settings menu (*Settings/(1234)/Heating / Cooling/Sensors / Controls*).

If SET module is attached supply, room, outside or water radiator temperature sensor inputs can be selected.

*) Accessory

5.2.3 External heating & cooling units

Commissioning and setting of the heating and cooling equipment* connected to the ventilation unit are performed from *Settings/(1234)/Heating / Cooling* menu.

Detailed instructions are supplied together with accessories. By default the ventilation unit normally has internal post heating.

Heating / Cooling	
Adj. method	Supply air
Sensors / controls	
Int. post heater	<input checked="" type="checkbox"/>
Ext. post heater	<input type="checkbox"/>
Post heater out limit	8°C
Ext. post cooling	<input type="checkbox"/>
Ext. electric preheater	<input type="checkbox"/>
Ext. liquid coil	<input type="checkbox"/>

Important

Turning off the internal post heating or lowering the Post heater out limit is not recommended, due to the risk of condensation.

5.3 Defrosting

Anti-frost protection in the ventilation unit works automatically. The level of the anti-frost protection can be changed from the *Settings/(1234)/Defrost settings* menu.

Defrost settings	
Level	Normal
Supply air limit	<input checked="" type="checkbox"/>
Supply air limit (min.)	14°C

Supply air limit function changes airflows if supply air temperature decreases below minimum limit or below setpoint.

5.4 Restoring factory settings

Resets all settings made from the control panel, except commissioned air flows.

5.6 Changing the settings password

Settings password can be changed from *Settings/(1234)/Change service code* menu. By changing the service code commissioned functions can be protected. Changed password is possible to reset (Casahelp).

Enter code	
[1 2 3 4]	
Accept	

5.7 Use

The instructions for normal use is described in user manual supplied with the unit.

The unit is designed to work automatically once the unit is commissioned. Normal use case is that operating mode is selected. This can be done automatically with Smart sensors.

6. Service

6.1 Service reminder

The service reminder is activated with preset time intervals and the ⓘ symbol is displayed on the control panel's screen and cooker hood indication LEDs. As a factory setting, the service reminder is not in operation. It can be activated from *Main menu/Diagnostics / Service reminder* menu. The recommended service interval is six months.

When servicing has been performed, the service reminder is reset from "Alarm" in the main menu. Service reminder can always be reset under the main menu item "Diagnostics / Service reminder".

◀ Service reminder	
Service reminder	<input checked="" type="checkbox"/>
Service interval	6 m
Next service	6,0 m
Reset counter	

6.2 Opening the ventilation unit

Always isolate the power supply by pulling out the plug from the wall socket before you begin any service work. Wait a few minutes before you open the inspection door on the ventilation unit, so that the fan will have time to stop and the air heaters can cool down.

Open the door by turning the lock with a screw driver for slotted screw heads. Support the top edge of the door with one hand when you open the lock bolt. Tilt the top edge outwards, towards you, and then lift the door away from its place.

Turn the operating switch to the 0-position prior to commencing servicing.

Wear protective gloves if needed.

6.3 Filters

The filters should be replaced at least every six months. The filters may need to be replaced more often in homes where there is considerable dust or if there are many impurities in the outdoor air.

In a new home, there is still moisture from the construction period, and the filters can become soiled more quickly than usual. The first filter change should, therefore, be made more often.

The ventilation unit must not be operated without filters. Use only original Swegon filters. This is important, as filters with the same appearance and size can have very different pressure losses and filter capacity. If an incorrect filter is used, the ventilation unit may not work as designed and Swegon can't be responsible for possible malfunction. Check correct filters from the list of components.

6.4 Heat exchanger

Check the condition of the heat exchanger whenever you service the unit.

Ensure that the heat exchanger has not frozen to the ventilation unit's frame during cold period. If needed keep the door open for a while before removing the heat exchanger from the unit, so that the temperatures have time to equalize and to prevent damage to the seals.

Withdraw the heat exchanger from the unit for inspection. Do not damage the heat exchanger fins.

Make sure that the passages through the heat exchanger are not clogged and clean them e.g. with running warm water if required. Never use cleaning agents. **The passages of the heat exchanger should be dry before you reinstall the heat exchanger in the unit.**

6.5 Fans

The ventilation unit's fans must be checked at least every two years. If dirt builds up in the fans this can affect the functionality of the ventilation unit.

Dismantling the fans for cleaning (qualified service personnel only)

- Remove the filters and heat exchanger from the ventilation unit.
- Open the locking latches on the fans and loosen the locks (picture B: 3 and 4). Summer bypass damper (picture C) must be in "winter" position to be able to reach the locking latch of the supply air fan. A long extension arm for the screwdriver is required for removing the locking latch of the extract air fan. Otherwise the pre-heater (picture A: 6) must be removed.
- Tilt the lower part of the fan toward the rear wall until the fan disconnects from the mounting bracket behind.
- Turn the fan sideways and pull it away from its position. Be careful not to damage the insulation on the electric cables.
- If necessary, clean the fan with a soft brush. Be careful not to dislocate the impeller balancing weights. If significant amounts of dirt collect on the fan impeller cleaning should be left to a professional.
- Reinstall the fan by sliding it towards the rear wall and lift it into place.
- Install the locking latch.
- Fit the heat exchanger and filters.

The ventilation unit's fans must be taken off from their locations and protected, for example, with plastic bags, while the ventilation ducts are cleaned.

6.6 Other servicing

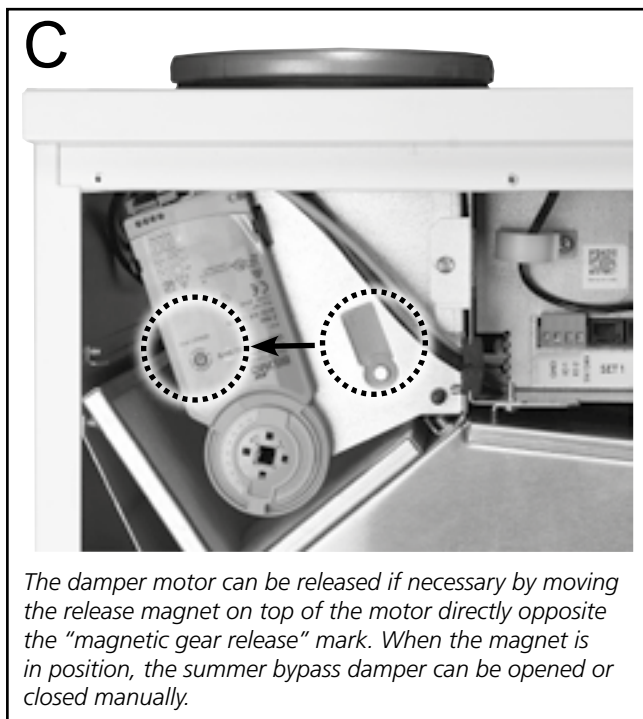
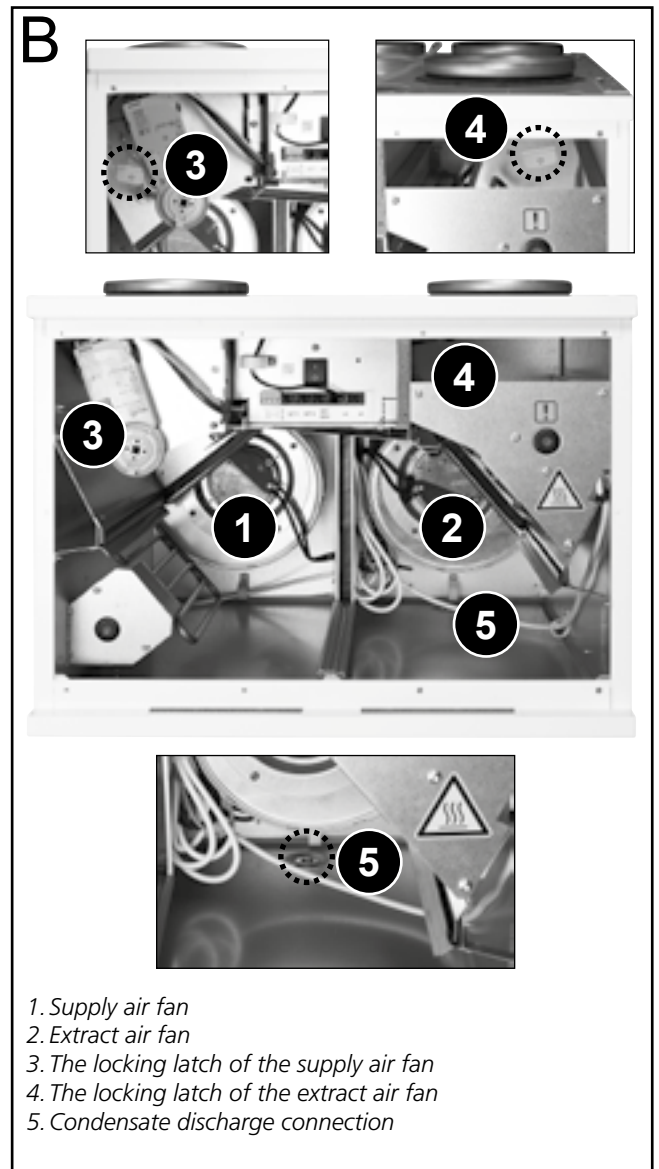
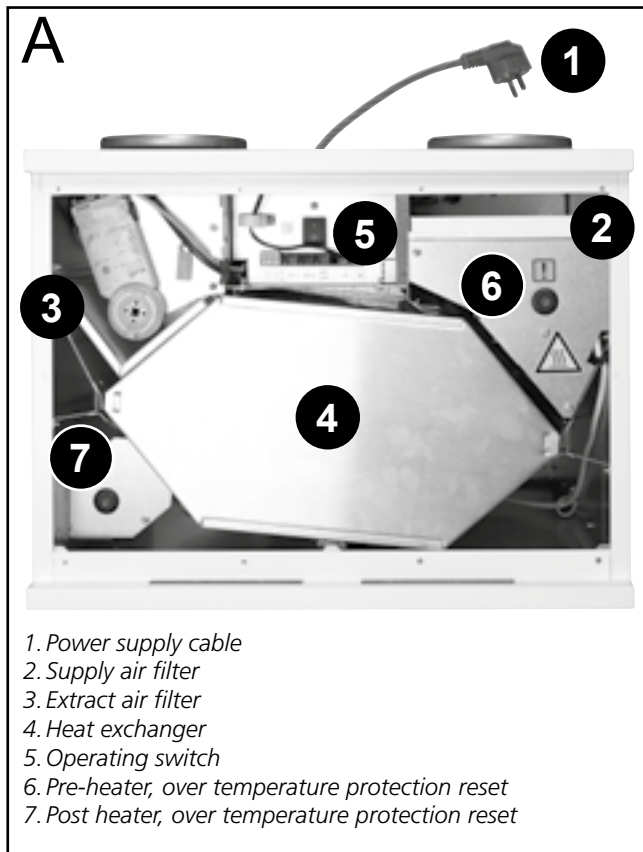
Clean the inner surfaces of the ventilation unit by vacuum cleaning or with a damp cloth.

Check that the condensate discharge outlet is not clogged and check its outflow by pouring water on the bottom of the ventilation unit. The condensate discharge connection is located on the rear of the unit under the heat exchanger.

Check that dirt has not collected on the surfaces of the air heater, clean if necessary.

Check that the ventilation unit works normally and no alarms are shown on the screen or on the cooker hood.

The R model of the unit in the pictures



Service check list

Every six month

- Change filters, reset service reminder
- Clean the inner surfaces
- Check alarms from user panel
- Clean the cooker hood crease filter

Every 2 years

- Check and clean fans

Every 10 years

- Clean the ducts
- Check and adjust the air flows

6.7 Diagnostics

Unit operation can be monitored from *Main menu/ Diagnostics* menu.

- **Service reminder.**

Service reminder activation and service interval setting. The menu also displays the time for the next service.

- **Temperatures.**

The temperature values shown in the menu vary according to which sensors are used in the unit. NOTE! Fresh air temperature is measured inside the unit and it may not correspond to outside temperature.

- **Smart functions.**

The values shown in the menu vary according to which Smart sensor is used in the unit.

Smart functions	
A+	830 ppm
AQ	770 ppm
RH	41 %
AH	11,8 g/m ³
AH setpoint	12,6 g/m ³
A+ control	-3 %
RH control	0 %
AQ control	4 %
Smart control	1 %

The A+, AQ and RH corresponds CO₂, VOC and humidity measurements. The AH an AH setpoint are absolute humidity values used by auto humidity control. Humidity boost starts when AH is above AH setpoint.

The control information shows how much different automatic Smart functions boost the ventilation with respect to Home mode. The "Smart control" value shows the total boost effect for all Smart functions.

- **Fan speeds.**

The menu shows the fan control values and measurements.

- **Heating and cooling.**

The heating and cooling controls, the supply air setting and the supply air temperature are shown on the menu. In addition, the menu displays indicates the state of the summer night cooling and preheating.

- **Anti-frost protection.**

Operating status for automatic defrosting and supply air limiting.

- **External control functions.**

The menu includes external input statuses.

7. Alarms and Troubleshooting

The unit has inbuilt diagnostics for malfunction and protective functions to prevent damage. Malfunction is indicated with alarm in cooker hood, user interface and with digital relay outputs. This section contains description of alarms, actions and troubleshooting. Most of the actions listed in alarm description table is allowed only for qualified person with needed permissions.

7.1 Alarm indication, cooker hood

If the ventilation unit detects critical alarm, all signal lamps on the cooker hood blinks three times every 30 seconds.

Following alarms are indicated:

- Sensor fault
- Supply air hot
- Internal overheat
- Supply air cold
- Water radiator freezing protection shutdown
- Repeating post heater fail
- Repeating preheater fail

NOTE! The service reminder is indicated with one blinking damper timer signal lamp.

7.2 Alarm indication, control panel

If the ventilation unit detects alarm or info message it is indicated in the user panel main screen. The symbol for an active alarm is **▲**. The malfunction that has caused the alarm is shown in the menu (*Main menu / Alarm*). Info message ⓘ indicates unconfirmed alarms when the malfunction is fixed. Info message also indicates the set service interval has elapsed. The Info message can be reset from the *Alarm* menu.

7.3 Troubleshooting

Troubleshooting and service instructions:

www.casahelp.fi



A ventilation system is composed of several system components which all influence how the system operates. A malfunction in ventilation performance could be caused by any system component or fail in installation, commissioning or service.

The unit warranty is valid during the warranty period if unit installation, commissioning and service is done according this manual. If despite proper usage there are functional disruptions in the ventilation unit, register these using the response form at the address www.casahelp.fi.

There are also instructions, service videos and frequently asked questions on the same website. You directly access a web page with model specific instructions by reading the QR code on the door of the ventilation unit with a smartphone.

If a problem or a fault occurs on the ventilation system after the warranty period, contact our network of authorised service companies on www.swegonhomesolutions.com, your real estate company's service division or another service company that is fully conversant with ventilation repairs.

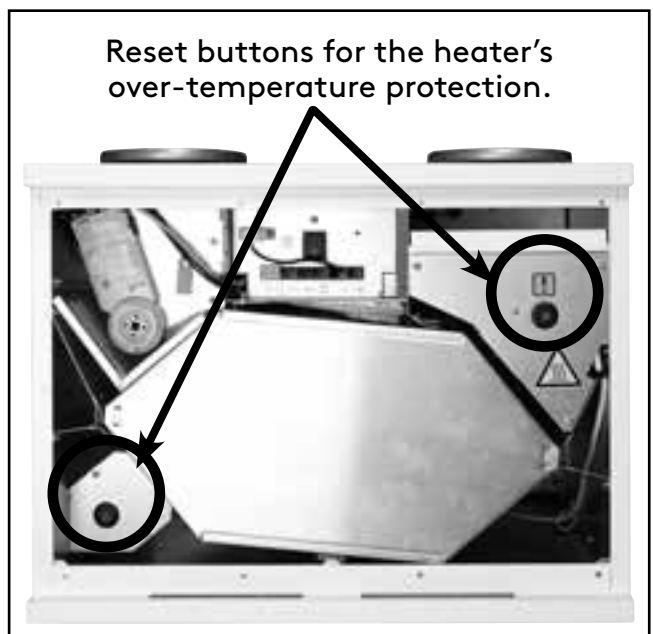
Important

When the outside air is cold, the frost protection controls the heater's steplessly so that the heat exchanger operates continuously at the best efficiency. If the heater power is not sufficient to maintain the heat exchanger's efficiency within the optimum range, the ventilation is reduced.

When the outside air is extremely cold, the supply air temperature can be lowered by a maximum of two degrees below the setpoint.

It is normal that in cold weather a small amount of ice or frost may form on the heat exchanger.

Reset buttons for the heater's over-temperature protection.



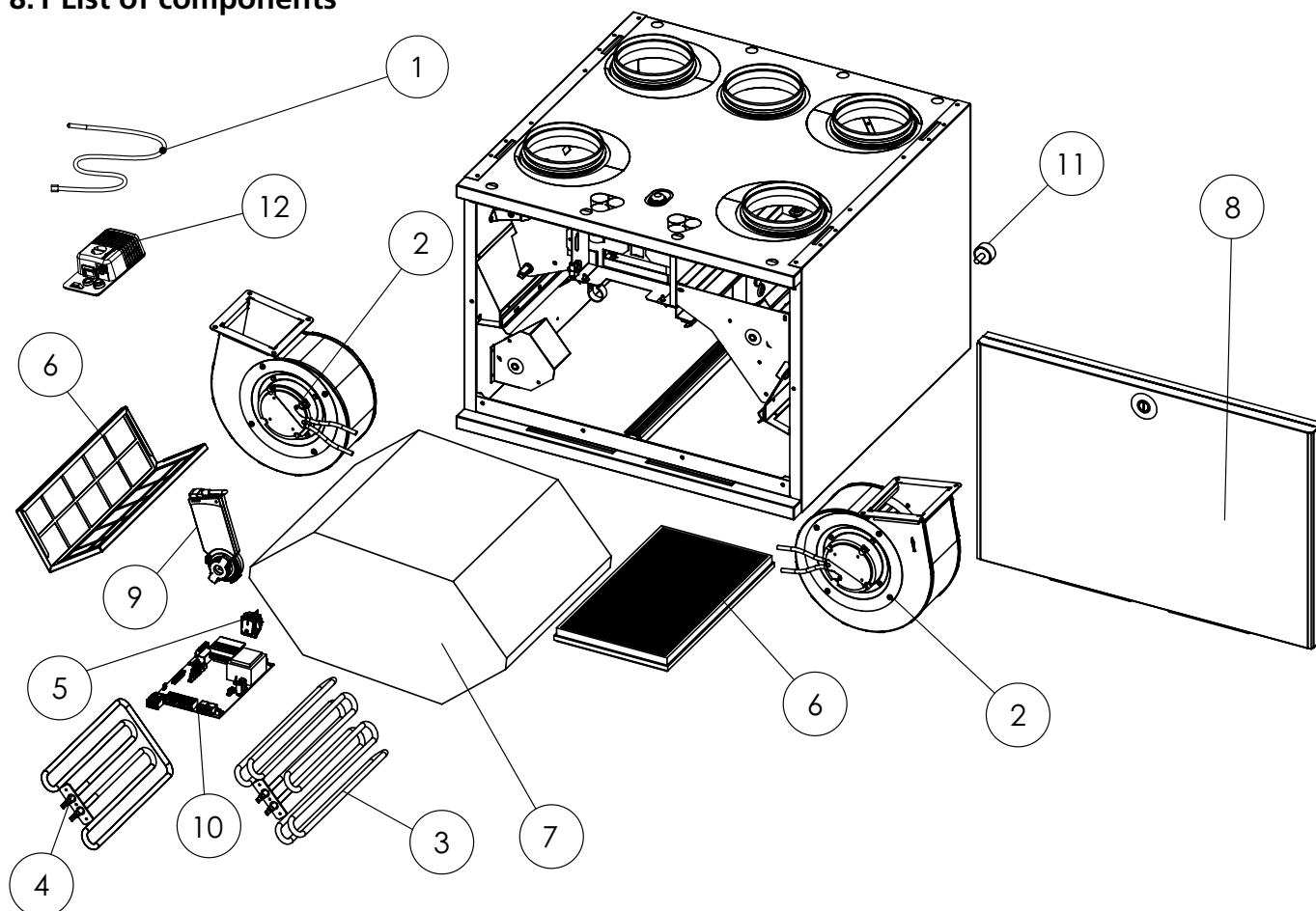
7.4 Alarm descriptions

*) Indicated in Smart cooker hood

Alarm	Modbus register - bit (LSB)	Cause	Action
T1, T2...T9 sensor fault*	⚠ 3x6136-6 ℹ 3x6137-6	Sensor reading is out of range.	The ventilation unit runs in a restricted operating mode. Check cable connections and configuration. Change sensor if faulty.
Post heater fail (*)	⚠ 3x6136-0 ℹ 3x6137-0	Post heater control diagnostics has detected open circuit or control fail.	The ventilation unit runs normally but post heating may not work. Check manual overheating protection. Check post heating circuit.
Preheater fail (*)	⚠ 3x6136-1 ℹ 3x6137-1	Preheater control diagnostics has detected open circuit or control fail.	The ventilation unit runs normally but preheating may not work. Check manual overheating protection. Check preheating circuit.
Water radiator freezing warning	⚠ 3x6136-3 ℹ 3x6137-3	Water temperature is critically low (12 °C) and outdoor temperature is below 0 °C.	The ventilation unit runs normally but freezing protection is activated (electrical heater is activated and valve is fully opened). If water temperature is below 10 °C the unit is stopped. Unit is started when water temperature rises over 15 °C. Ensure that the heating system circulation pump is running and the water is warm.
Supply fan fail	⚠ 3x6136-4 ℹ 3x6137-4	No fan speed signal.	The ventilation unit runs normally. Check fan and cabling.
Extract fan fail	⚠ 3x6136-5 ℹ 3x6137-5	No fan speed signal.	The ventilation unit runs normally. Check fan and cabling.
Connection fail		Control panel does not communicate with ventilation unit.	Restart the ventilation unit. Check cabling. Test other connector.
Emergency stop	⚠ 3x6136-7	Emergency stop or emergency stop resettable input activated.	The ventilation unit is stopped by the emergency stop function. The emergency stop alarm is reset and unit is started when the input is deactivated. The emergency stop resettable alarm is reset from user panel.
Internal failure	⚠ 3x6136-10 ℹ 3x6137-10	Internal temperature critical high. Memory read error.	The ventilation unit runs in a restricted operating mode. Restart the ventilation unit.
Rotor fail	⚠ 3x6136-14 ℹ 3x6137-14	No rotor speed signal.	The ventilation unit runs normally. Check rotor motor, belt and cabling.
Fan control	⚠ 3x6136-15 ℹ 3x6137-15	Constant duct pressure control error.	The ventilation unit runs normally but without constant duct pressure control. Check pressure measurement and settings in commissioning mode.
Supply air hot*	⚠ 3x6136-12 ℹ 3x6137-12	Supply air temperature critical high (50 °C).	The ventilation unit runs normally but all electrical heaters are controlled off. Inspect the cause for high temperature. Do not use the unit before problem detected and fixed.
Supply air cold*	⚠ 3x6136-11 ℹ 3x6137-11	Supply air temperature critical low (10 °C) over 5 minutes.	The ventilation unit is stopped. The unit is started when supply temperature rises over 10 °C.
Internal overheat	⚠ 3x6136-13 ℹ 3x6137-13	Internal temperature critical high (50 °C).	The ventilation unit runs normally but all electrical heaters are controlled off. Inspect the cause for high temperature. Do not use the unit before problem detected and fixed.
Elect. pre-heater fail	⚠ 3x6136-2 ℹ 3x6137-2	External electrical pre-heater control fail.	The ventilation unit runs normally. Check over heating protection, cabling and settings.
External alarm	⚠ 3x6138-1	External alarm input is active.	The ventilation unit runs normally.
Service reminder*	ℹ 3x6137-9	Service interval has elapsed.	Service the ventilation unit and reset the service reminder.

8. Technical data

8.1 List of components



1. Temperature sensors
2. Fan package (R-model):
 - Supply air fan: FEC120L-A
 - Extract air fan: FEC120R-A
 Fan package (L-model):
 - Supply air fan: FEC120R-A
 - Extract air fan: FEC120L-A
3. Air heater, pre-heating
4. Air heater, post heating
5. Operating switch
6. Set of filters
7. Heat exchanger
8. Door
9. Damper motor
 - Release magnet
10. EC circuit card
11. Anti-vibration mountings (2 pcs.)
12. Smart Sensor package, humidity sensor: SRH

Accessories

- Smart control panel: SC10
- Modular cable: PMK20
- Mounting frame with vapour barrier (R/L):
 - W3: PW080YP
 - W4: PW100YP
- Condensate discharge tube: CDH3
- Water trap: UVLL
- Ceiling mounting bracket (R/L):
 - W3: W03CMB
 - W4: W04CMB
- Wall mounting bracket: WRWMB
- Set of replacement filters: W304F
- Smart sensor:
 - RH: SRH
 - RH + CO₂: SRHCO2
 - RH + VOC: SRHVOC

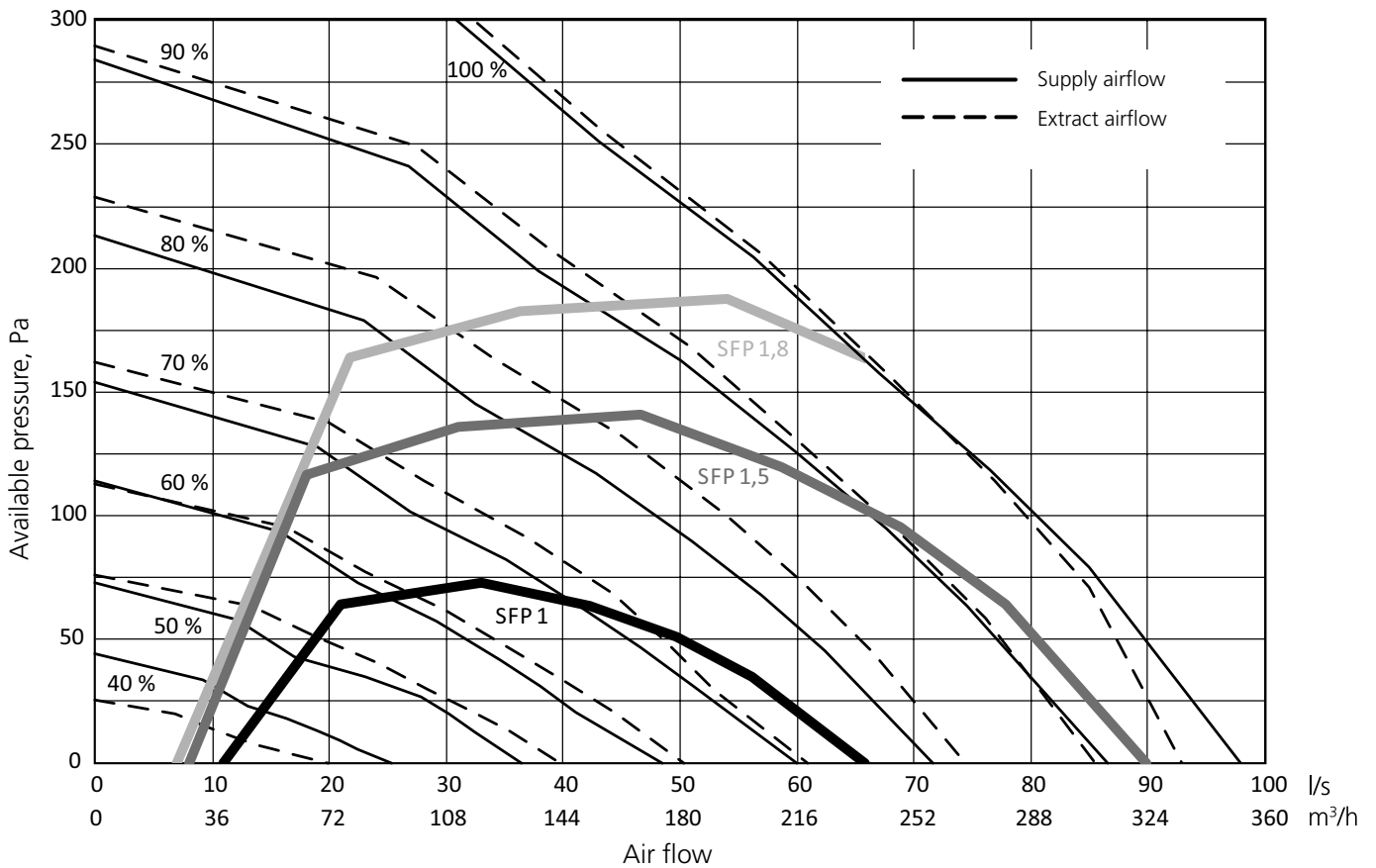
Buy online:

www.casastore.fi
www.casabutiken.se

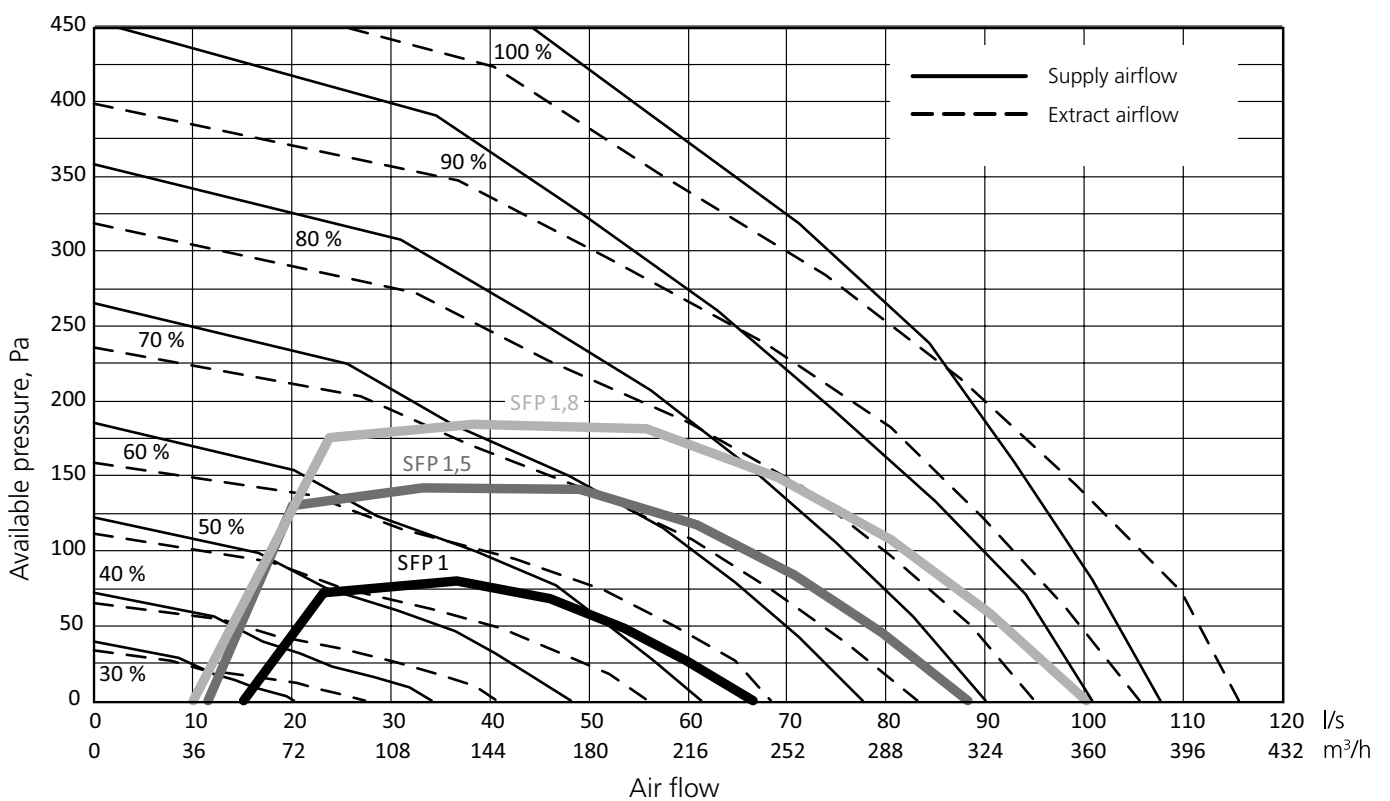


8.2 Air flows (EN 13141-4)

8.2.1 W3



8.2.2 W4



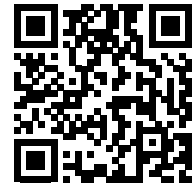
8.3 Connection outputs

	W3	W4
Connection	230 V, 50 Hz, 10 A	230 V, 50 Hz, 10 A
Fans	230 W	230 W
Pre-heater	1000 W / 500 W	1000 W
Post heater	500 W	500 W
Total output	1240 W / 740 W	1240 W

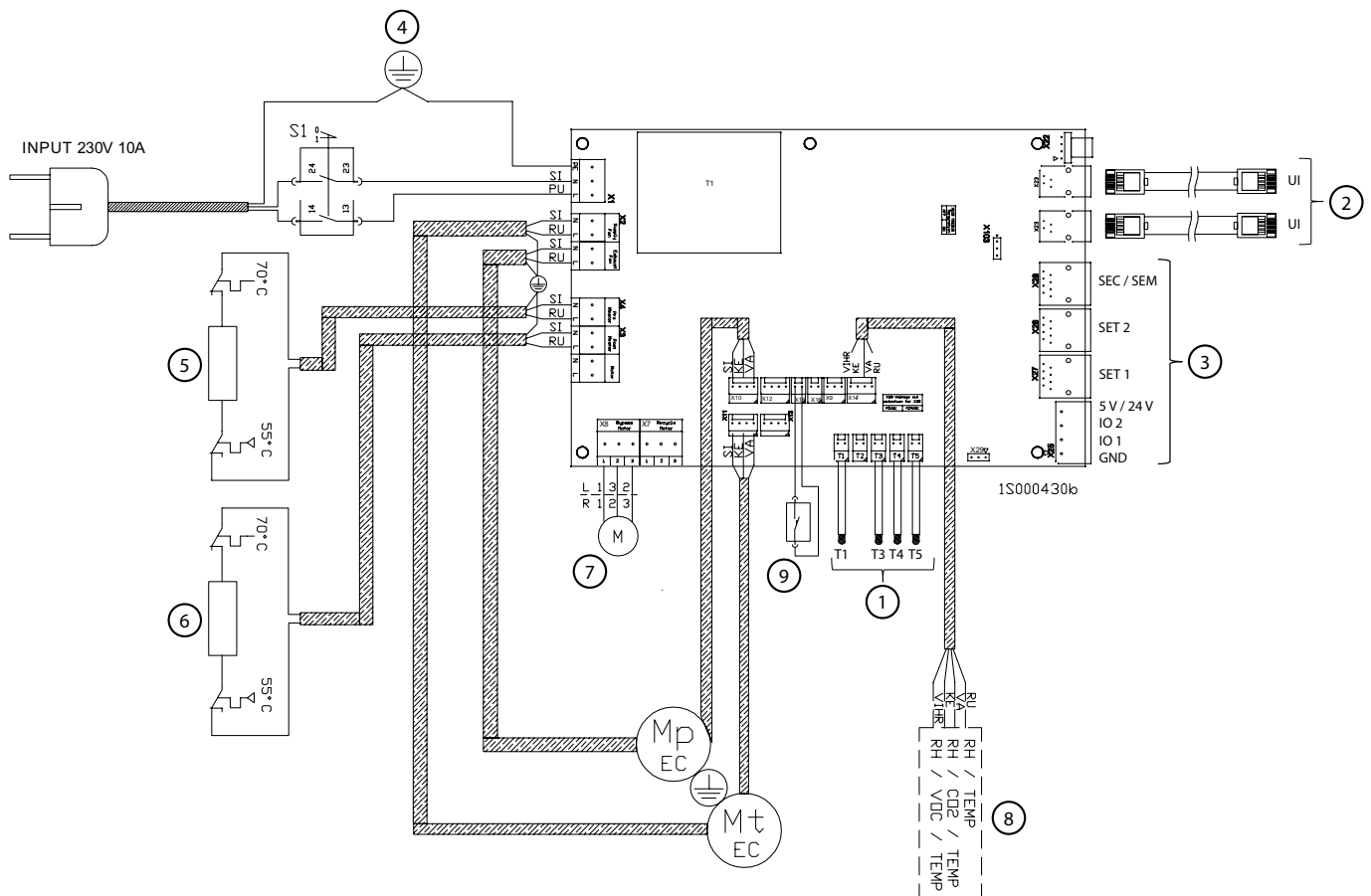
8.4 Acoustic data

Acoustic data can be found from ProCASA.

procasa.swegon.com



8.5 Electrical wiring diagram



1. Temperature sensors
2. Connectors for connecting the Smart control panel or cooker hood which are available as an accessory.
3. External connections. See the section "Units external connections".
4. Operating switch
5. Air heater, pre-heating 1000 W
6. Air heater, post heating 500 W
7. Damper motor (note, unit version R/L)
8. Smart sensorpackage
RH
RH + CO₂ (accessory)
RH + VOC (accessory)
9. Switch for summer bypass damper

8.6 Control diagram and description of functions

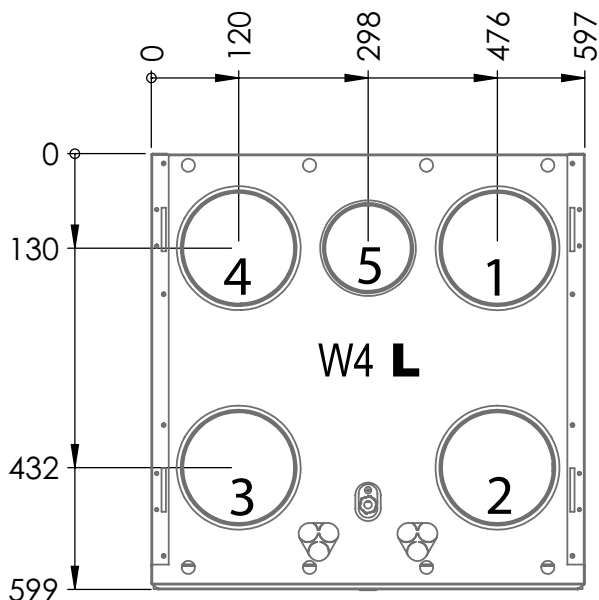
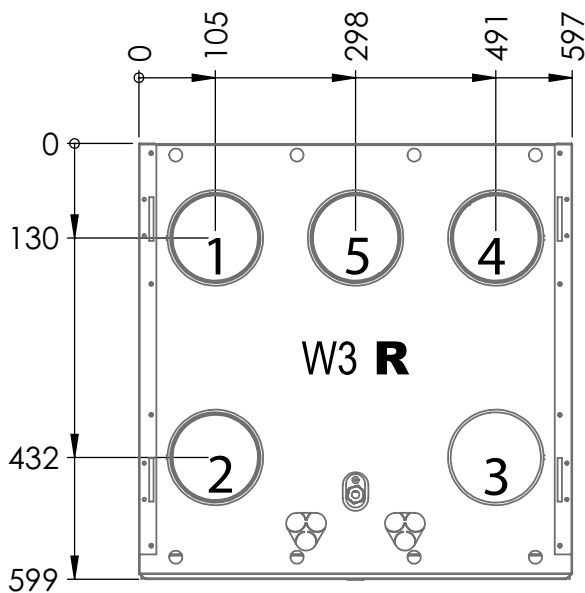
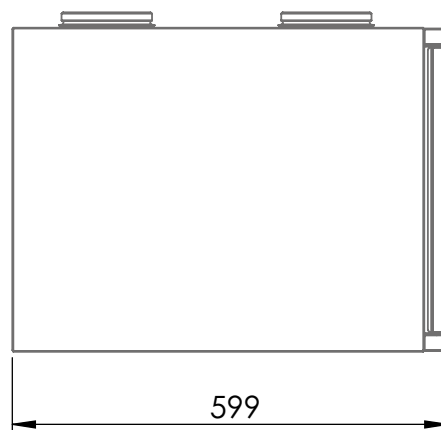
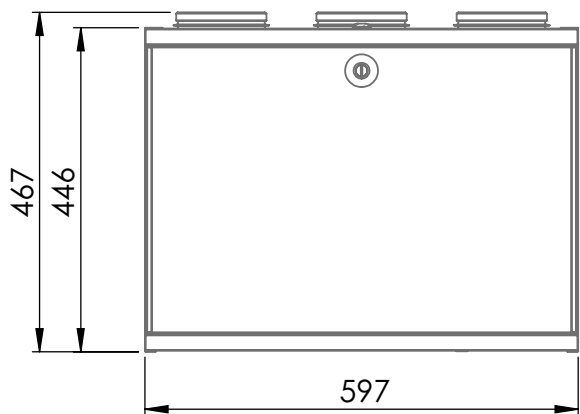
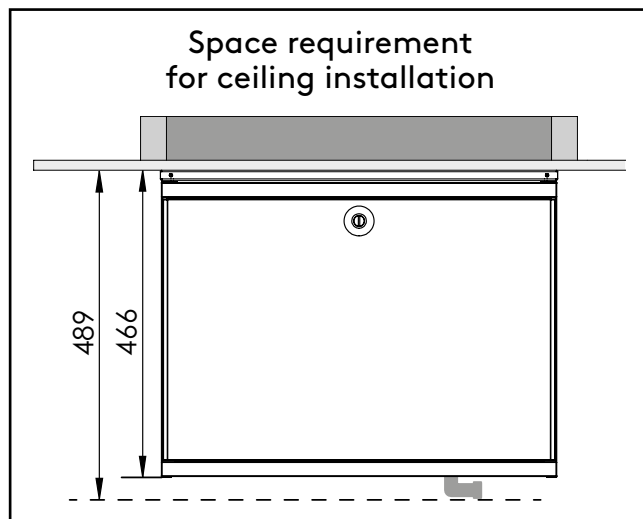
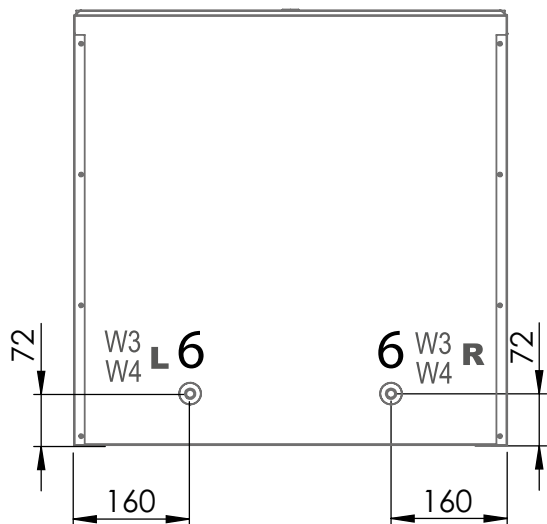
Use the ProCASA Designer software to create a system-specific control diagram and description of functions.

The program can be used to configure the demanded system and accessories. The program lists the components required and can be used to determine the control diagram (DWG) for the system. The diagram also contains a description of functions as well as the wiring and configuration.



procasa.swegon.com

8.7 Measurements



Weight of the unit: 45 kg.

Duct connections W3				
1	2	3	4	5
Supply air Ø 125	Extract air Ø 125	Outdoor air Ø 125	Exhaust air Ø 125	Extract air from cooker hood Ø 125

6: Condensate connection

Duct connections W4				
1	2	3	4	5
Supply air Ø 160	Extract air Ø 160	Outdoor air Ø 160	Exhaust air Ø 160	Extract air from cooker hood Ø 125

6: Condensate connection

8.8 Ventilation unit codes

• W3xs Smart R 1240W Mbp RH	W3SVR05S10HM
W3xs Smart L 1240W Mbp RH	W3SVL05S10HM
• W3xs Smart R 1240W Abp RH	W3SVR05S10HA
W3xs Smart L 1240W Abp RH	W3SVL05S10HA
• W3xs Smart R 740W Abp RH	W3SVR05SLOHA
W3xs Smart L 740W Abp RH	W3SVL05SLOHA
• W4xs Smart R 1240W Mbp RH	W4SVR05S10HM
W4xs Smart L 1240W Mbp RH	W4SVL05S10HM
• W4xs Smart R 1240W Abp RH	W4SVR05S10HA
W4xs Smart L 1240W Abp RH	W4SVL05S10HA

8.9 Accessories for controlling

- **Smart control panel** (SC10). Smart control panel with Exxact frame.
- **Smart humidity sensor** (SRH). For Auto humidity control.
- **Smart CO2 + humidity sensor** (SRHCO2). For Auto Home/Away/Boost function and Auto humidity control.
- **Smart VOC + humidity sensor** (SRHVOC). For Auto Air Quality control and Auto humidity control.
- **Smart Extension Modbus module** (SEM). IO-extension module with relay and Modbus RTU (in and out connectors).
- **Smart Extension Cable** (SEC). IO-extension cable with Modbus RTU (single point connector).
- **Humidity switch** (117KKH). For the Boost operating mode activation.
- **Fireplace function switch** (102TKC). A push button or remote Fireplace function activation.
- **Presence sensor** (102LT). For Boost or Away mode activation by movement detection.
- **Operation mode switch**. (any potential free switch) For Travelling, Away, Home or Boost mode activation.
- **External CO2 sensor** (117HDL). For Auto Home/Away/Boost function.
- **Pressure switch** (117PK2). For cooker hood or central vacuum cleaner function activation if state signal is not available.

Air cooler for cooling the supply air

- For 160 mm ducts; SDCW 160
- For 200 mm ducts; SDCW 200
- For 250 mm ducts; SDCW 250F

Air heater for heating the supply air

- For 125 mm ducts; SDHW 125
- For 160 mm ducts; SDHW 160

Air heater in combination with ground source heat pump

- For 200 mm ducts; SDHW 250F

Electric air heater for outdoor or supply air duct

- For 125 mm duct; SDHE125-1T
- For 160 mm duct; SDHE160-1T
- For 200 mm duct; SDHE200-1T

Commissioning form

Function	Planned air flow	Default	Setting
Basic air flows	l/s m³/h	%	%
Home (supply)		50 %	
Home (extract)		50 %	
Away (supply)		40 %	
Away (extract)		40 %	
Boost (supply)		65 %	
Boost (extract)		65 %	
<i>Travelling (supply)</i>		20 %	
<i>Max Smart boost (supply)</i>		65 %	
Cooker hood function			
<i>Home state compensation (difference)</i>		20 %	
<i>Boost state compensation correction (difference)</i>		0 %	
<i>Hood boost (supply)</i>		0 %	

Commissioned ventilation unit serial number | User panel: Main menu/Information/Serial number.

Commissioned by:	Date:



Asennus-, käyttöönotto- ja huolto-ohje
https://serviceportal.swegon.com/fi/docs/TM_W3W4-C_FI



**Installations-, Inbetriebnahme- und
Wartungsanleitung**
https://serviceportal.swegon.com/fi/docs/TM_W3W4-C_DE



**Installations-, drifttagnings- och
underhållsanvisning**
https://serviceportal.swegon.com/fi/docs/TM_W3W4-C_SE



**Installation, commissioning and
maintenance instructions**
https://serviceportal.swegon.com/fi/docs/TM_W3W4-C_EN



**Installasjons-, igangkjørings- og
vedlikeholdsveiledning**
https://serviceportal.swegon.com/fi/docs/TM_W3W4-C_NO

Feel good **inside**